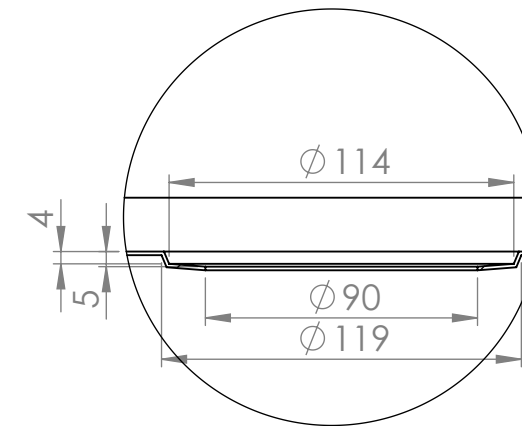
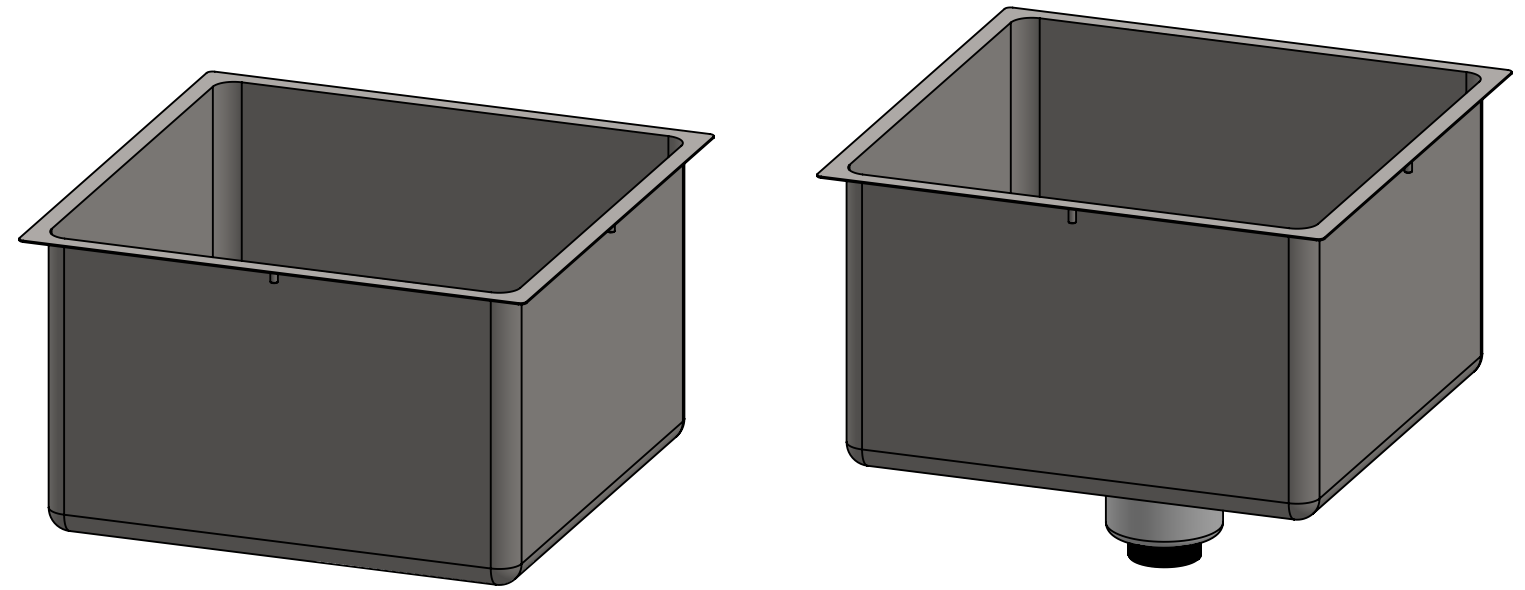
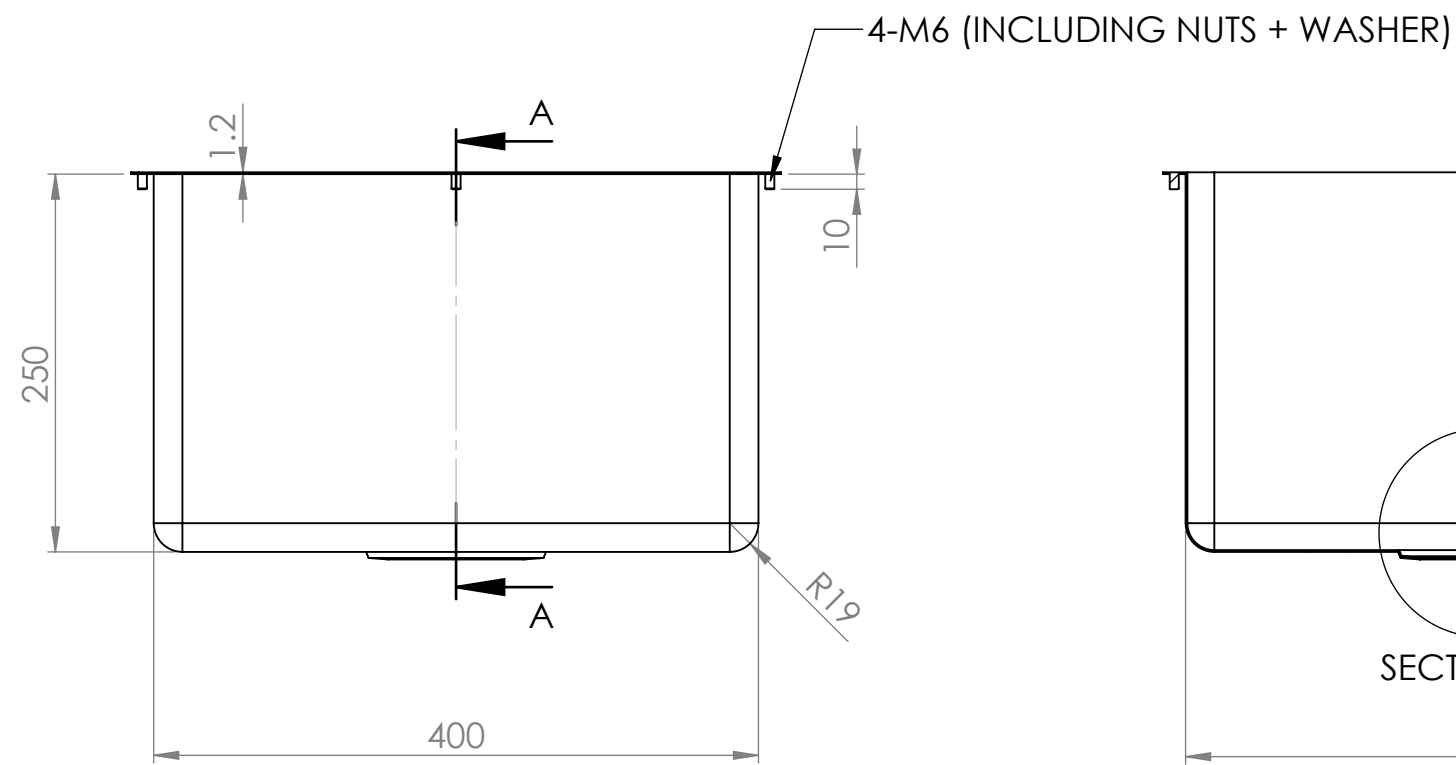


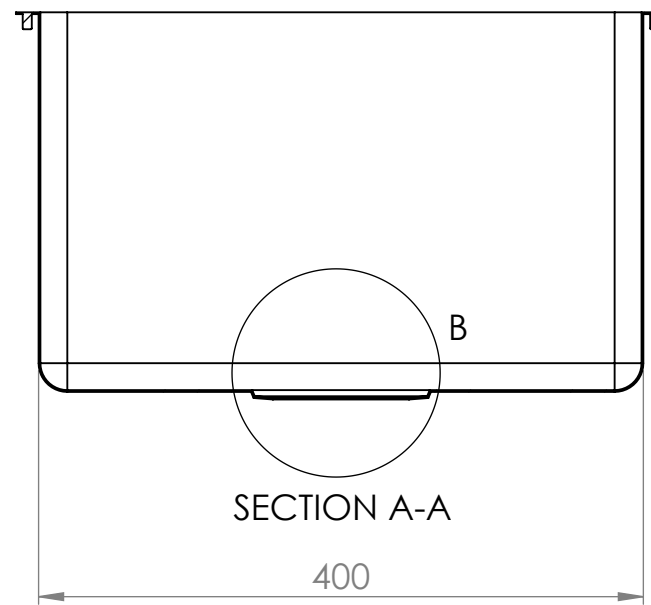
PLAN



DETAIL B



FRONT ELEVATION



SIDE ELEVATION

SBM-WS

SIMPLY STAINLESS

Modular Bar Solutions

COPYRIGHT © 2022

This drawing is the property of CI GROUP PTY LTD. Tradings as SIMPLY BARS and It may not be copied, reproduced or modified in whole or in part without prior written permission of CI GROUP PTY LTD. SIMPLY BARS reserves the right to change specification and design without notice.

**SBM-WS
WASH SINK**

SIZE: A3

SCALE : 1:5

CONSTRUCTION NOTES :

1. SINK MADE FROM 1.2mm STAINLESS STEEL.
2. COMES SUPPLIED WITH WATERMARK & WATERCORP APPROVED 90mm SINK WASTE & BASKET WITH 50mm CONNECTION.
3. CUT OUT REQUIRED 405mm X 405mm.