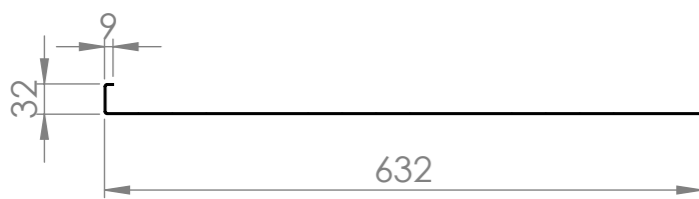
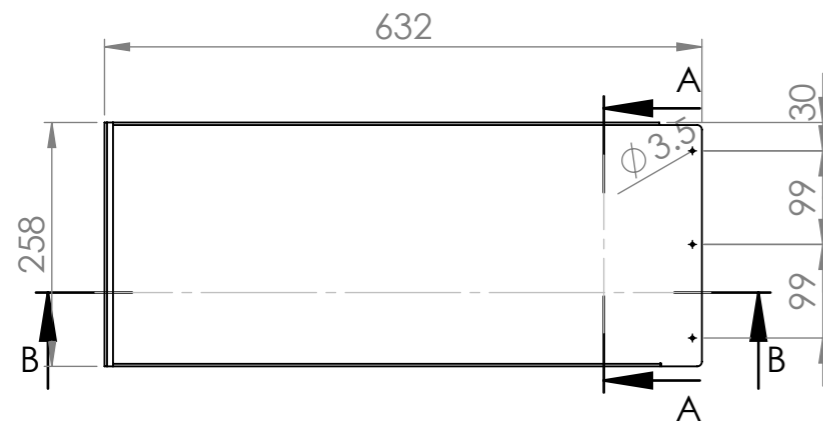
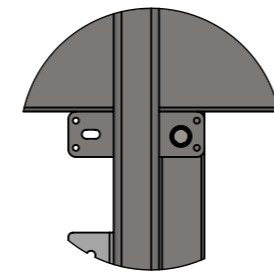
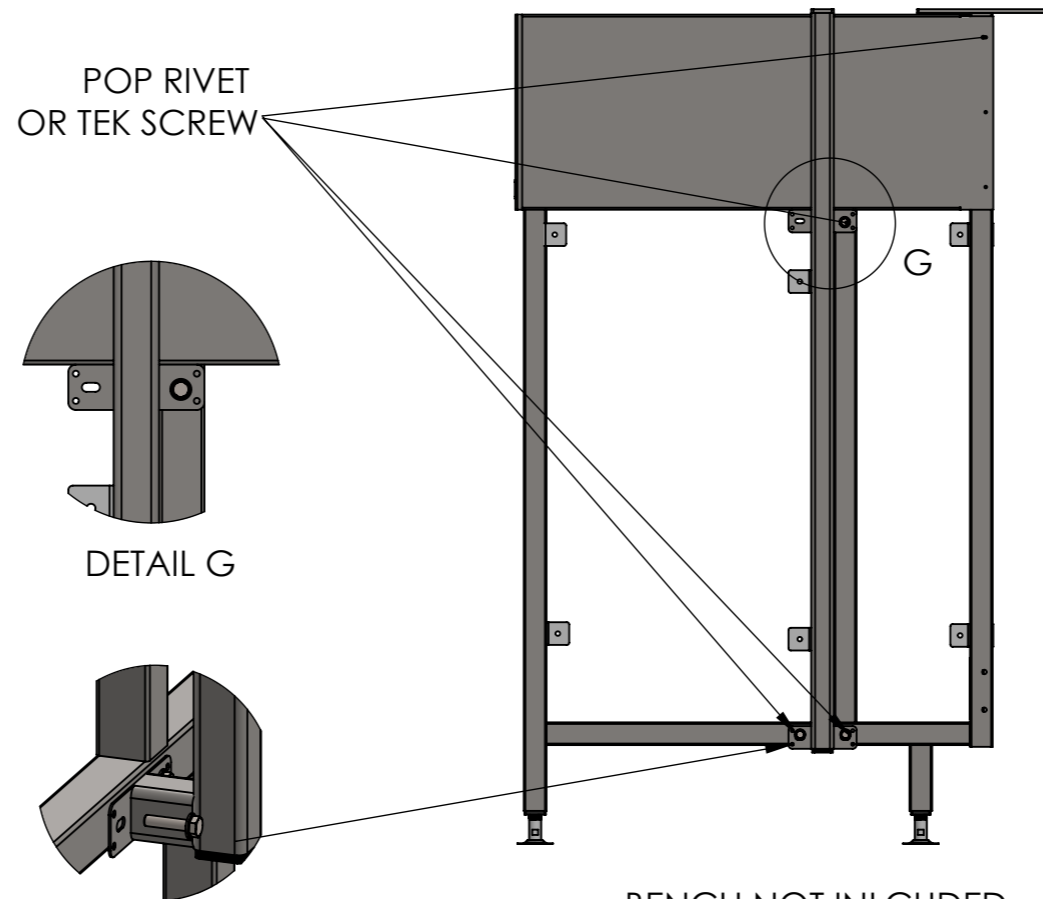


FRAME
SCALE:1:10@A3

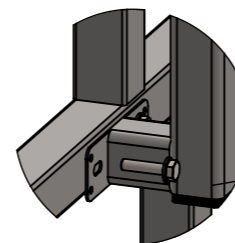


SECTION B-B

UPSTAND
SCALE:1:8@A3



DETAIL G

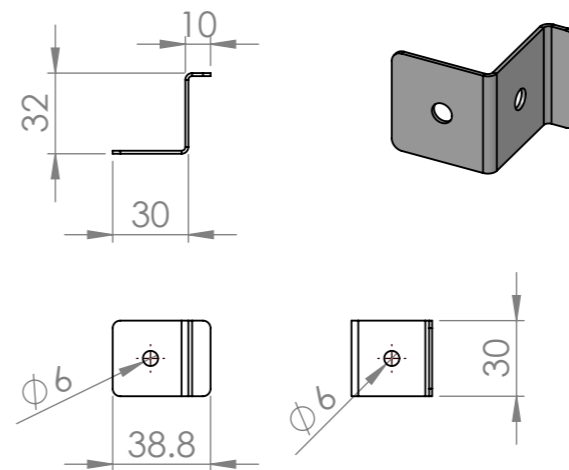
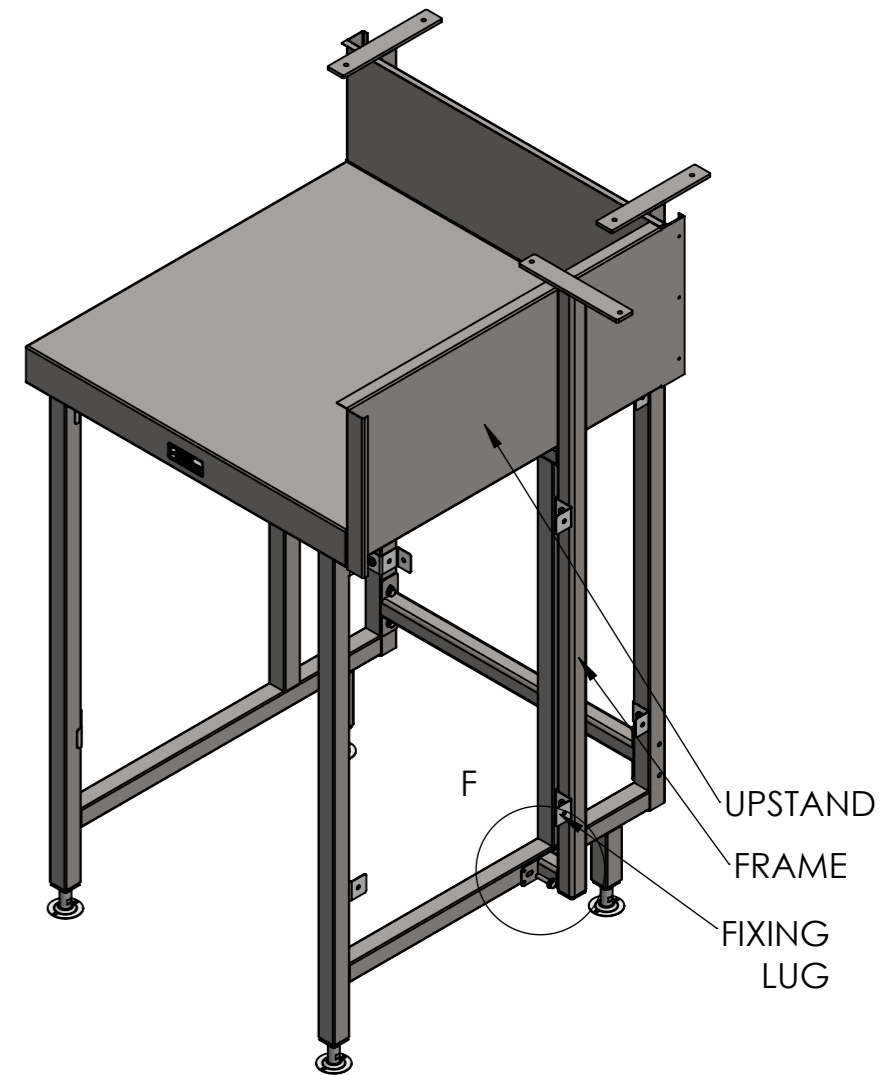


DETAIL F



SECTION A-A

SBM END PANEL KIT, 600 SERIES



FIXING LUGS
SCALE:1:3@A3



Modular Bar Solutions

COPYRIGHT © 2022

This drawing is the property of CI GROUP PTY LTD. Tradings as SIMPLY BARS and It may not be copied, reproduced or modified in whole or in part without prior written permission of CI GROUP PTY LTD. SIMPLY BARS reserves the right to change specification and design without notice.

**SBM-EPK-600
END PANEL KIT, 600 SERIES**

SIZE: A3

SCALE : VARIES

CONSTRUCTION NOTES :

1. FRAME MADE FROM 30x30mm STAINLESS STEEL SQ TUBE.
2. UPSTAND MADE FROM 304 GRADE, 1.2mm STAINLESS STEEL.
3. FIXING LUGS MADE FROM 1.2mm STAINLESS STEEL.