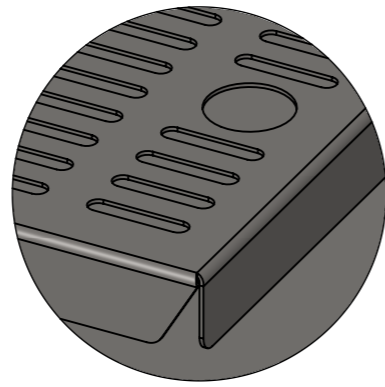
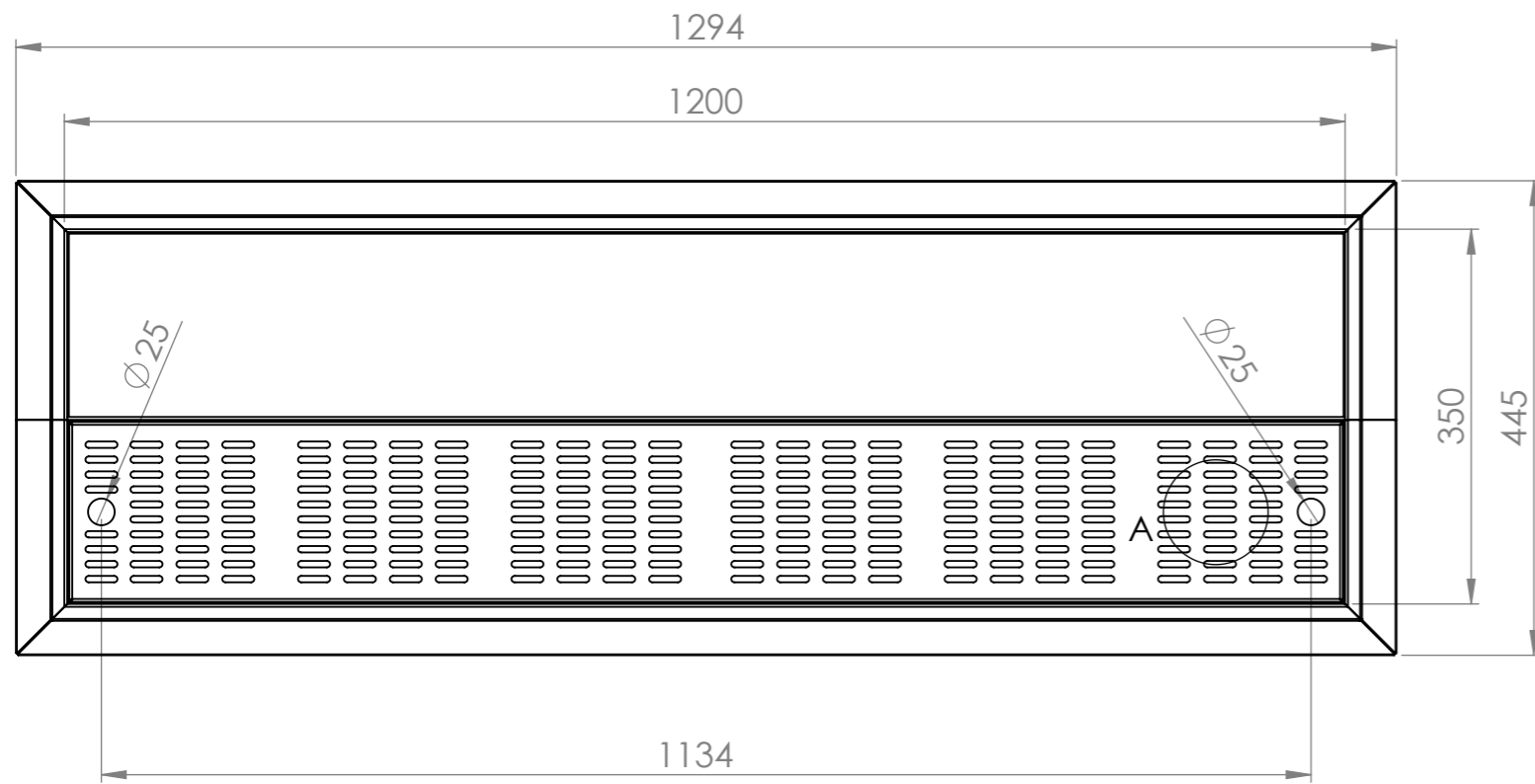
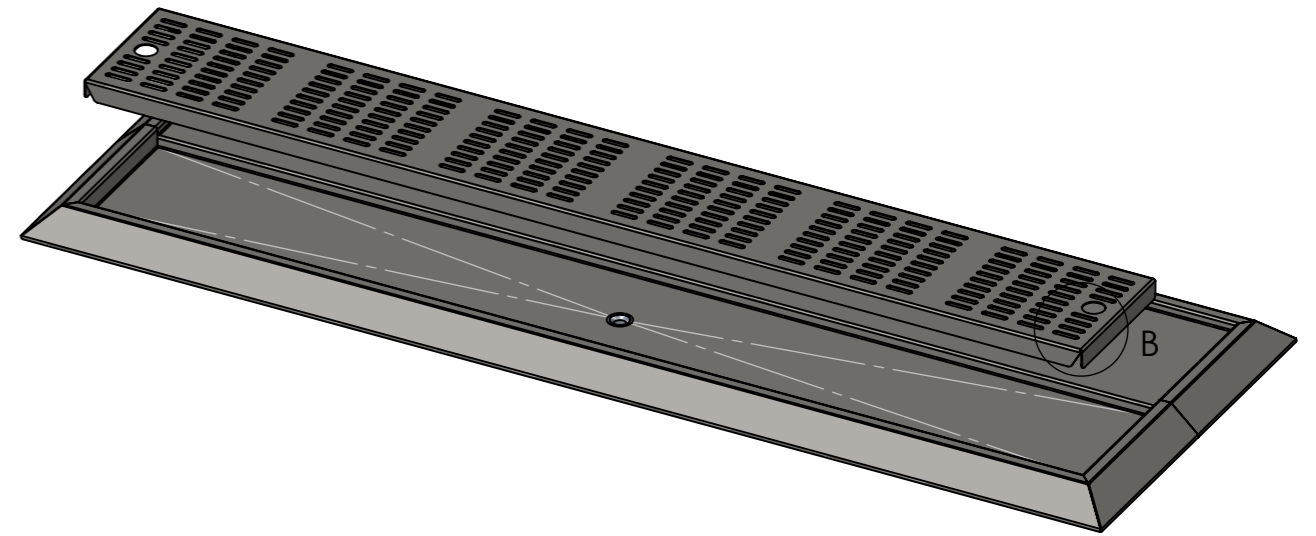


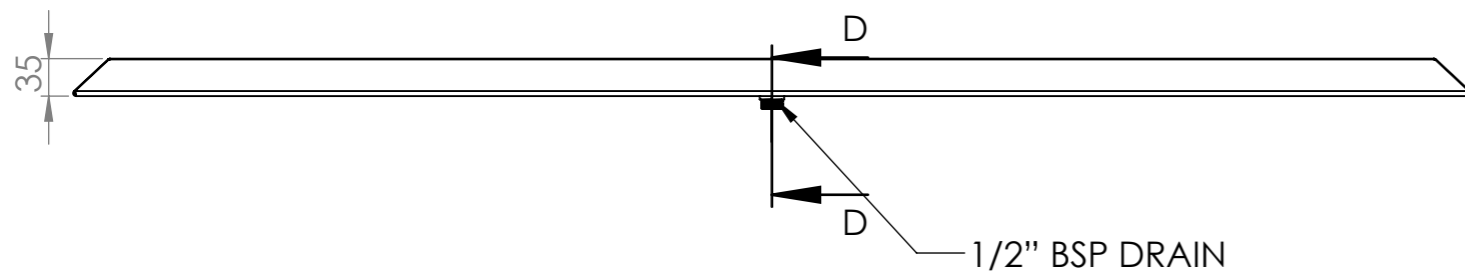
DETAIL A



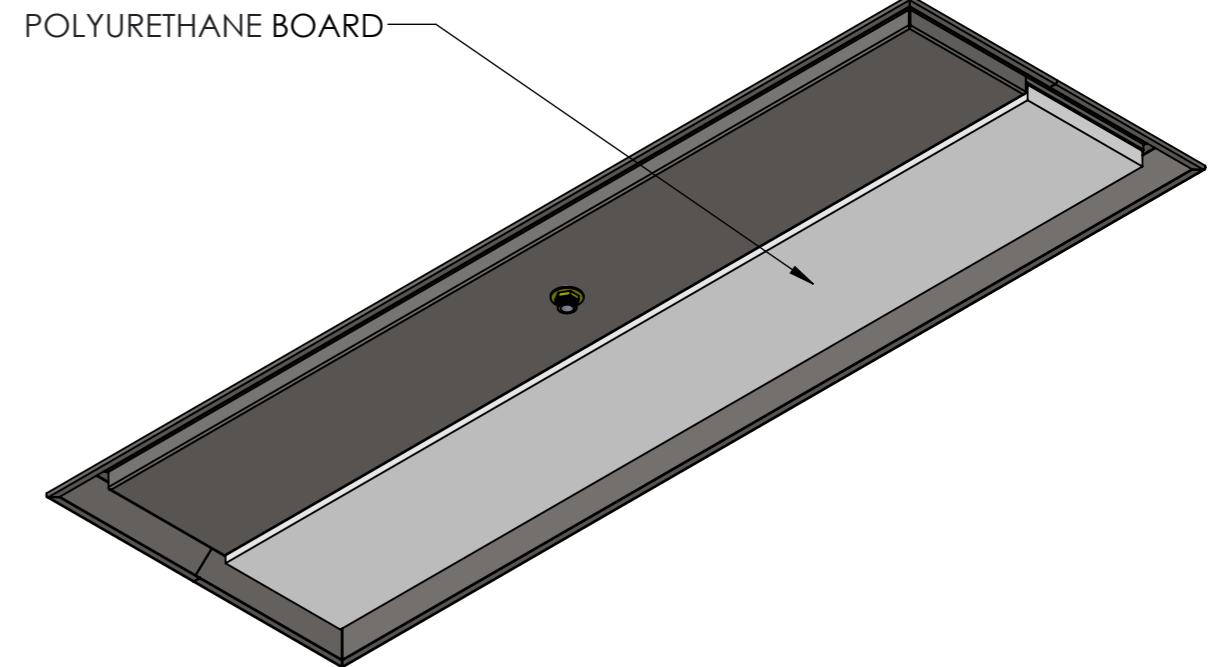
DETAIL B



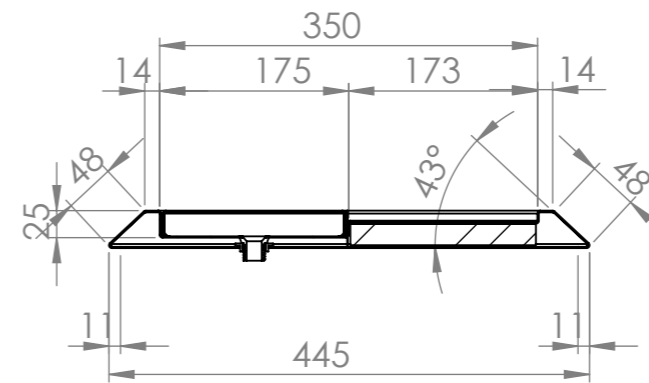
PLAN



FRONT ELEVATION



POLYURETHANE BOARD



SECTION D-D

SIDE ELEVATION



Modular Bar Solutions

COPYRIGHT © 2022

This drawing is the property of CI GROUP PTY LTD. Tradings as SIMPLY BARS and It may not be copied, reproduced or modified in whole or in part without prior written permission of CI GROUP PTY LTD. SIMPLY BARS reserves the right to change specification and design without notice.

SBM-CTBS-1200
COUNTER TOP BEER STATION, 1200mm

SIZE: A3

SCALE: 1:7

CONSTRUCTION NOTES:

1. MADE FROM 304 GRADE, 1.2mm STAINLESS STEEL.

SBM-CTBS-1200