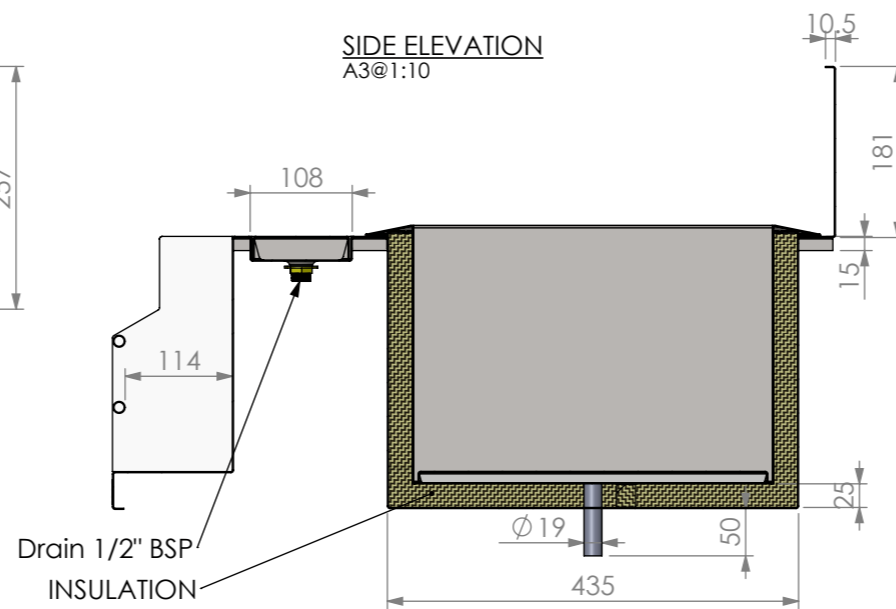
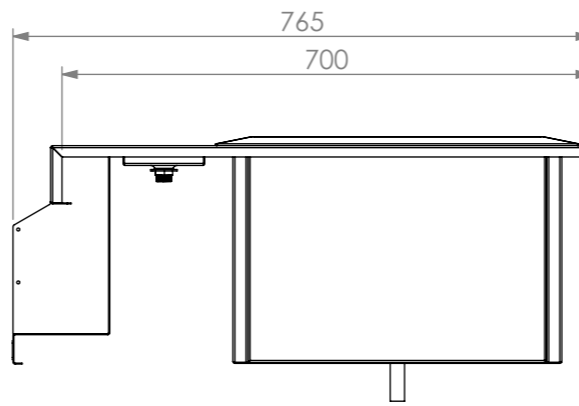
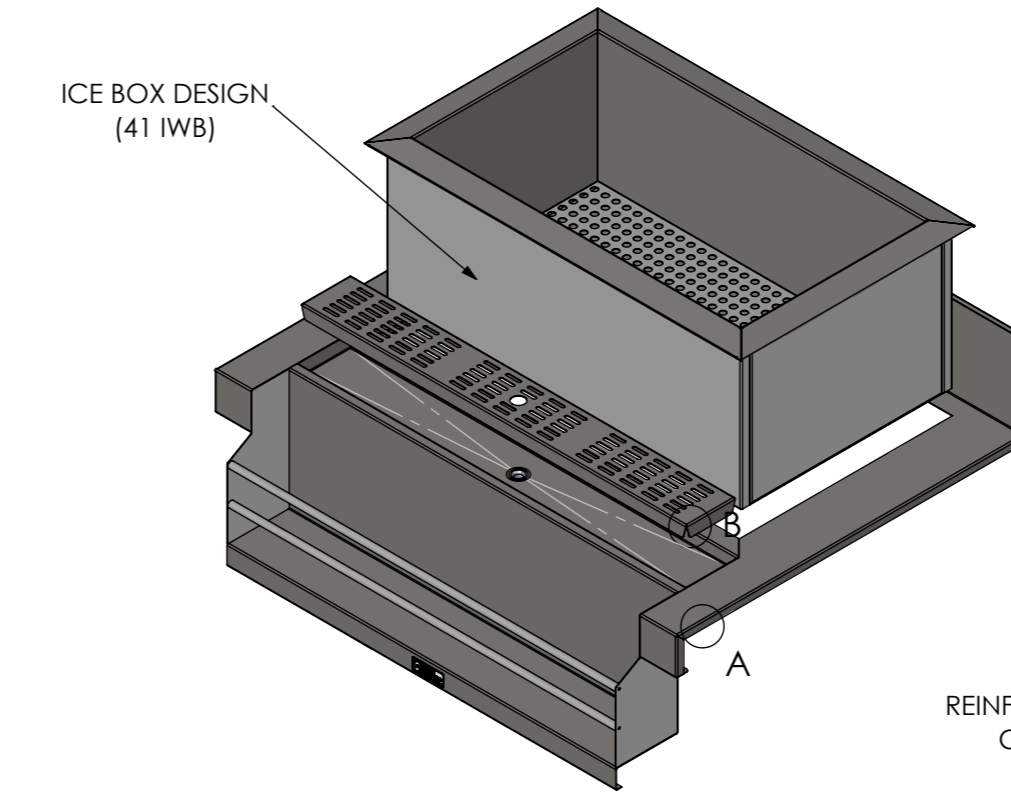
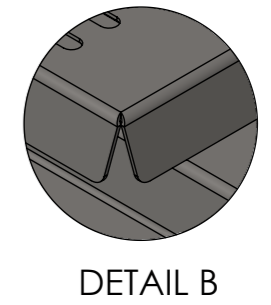
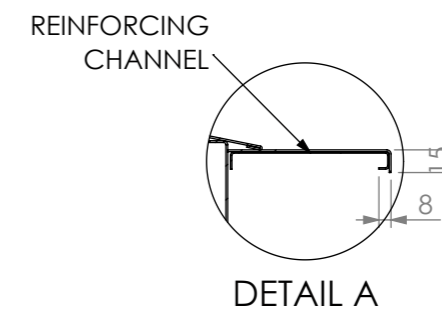


FRONT ELEVATION

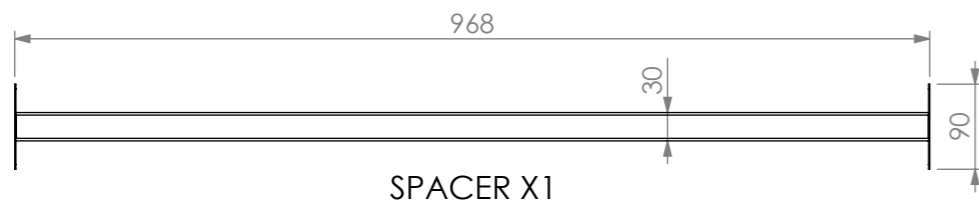
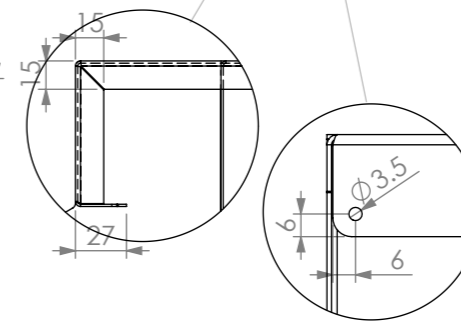
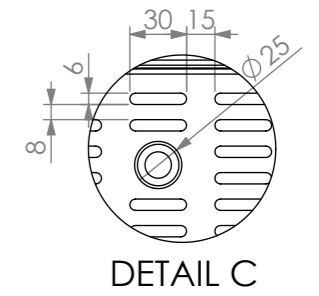
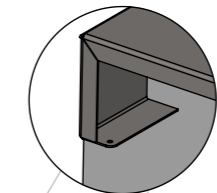


SBM-CSB-7-0950

SECTION A-A



DETAIL D



SIMPLY STAINLESS
Modular Bar Solutions
COPYRIGHT © 2022
This drawing is the property of CI GROUP PTY LTD. Tradings as SIMPLY BARS and It may not be copied, reproduced or modified in whole or in part without prior written permission of CI GROUP PTY LTD. SIMPLY BARS reserves the right to change specification and design without notice.

SBM-CSB-7-0950
COCKTAIL STATION WITH ICE WELL BIG

SIZE: A3
SCALE: 1:8

CONSTRUCTION NOTES :

1. TOPS MADE FROM 304 GRADE, 1.2mm STAINLESS STEEL.
2. SPACER MADE FROM 30mm STAINLESS STEEL SQ TUBE.
3. INTERNAL ICE WELL DIMENSIONS 380X675X273H.