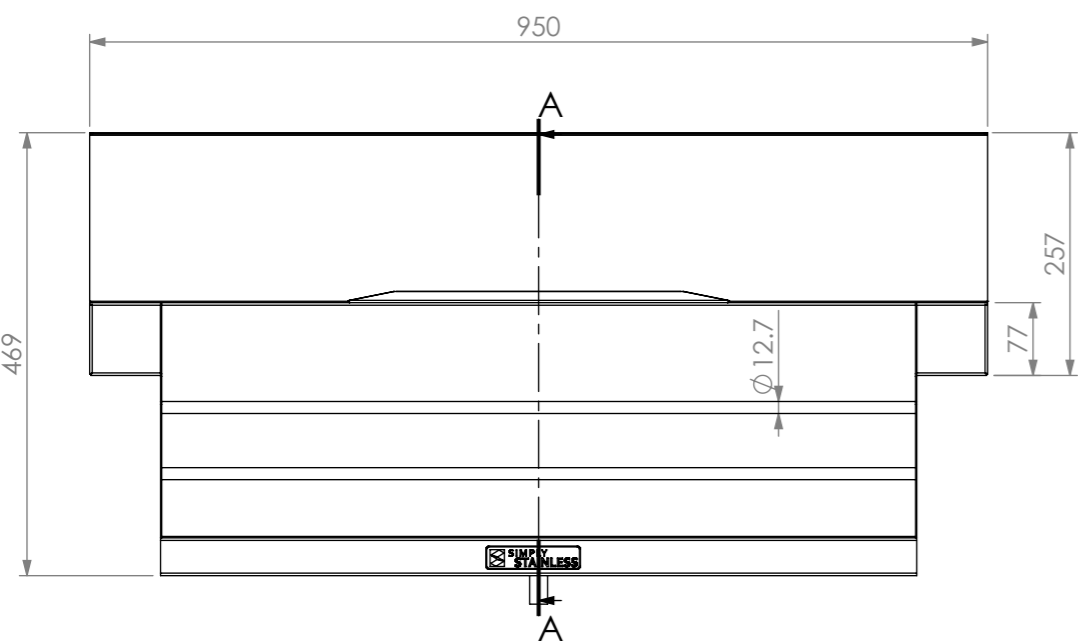
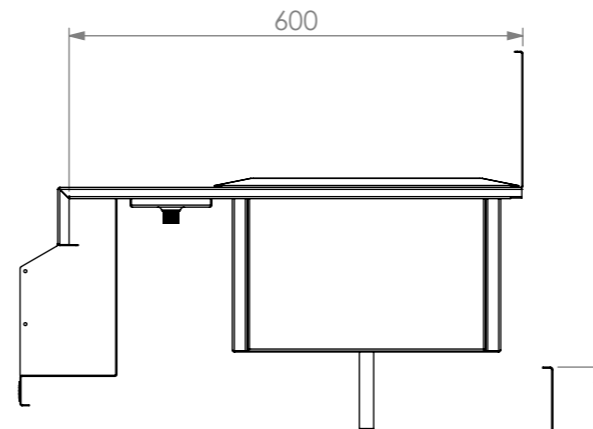
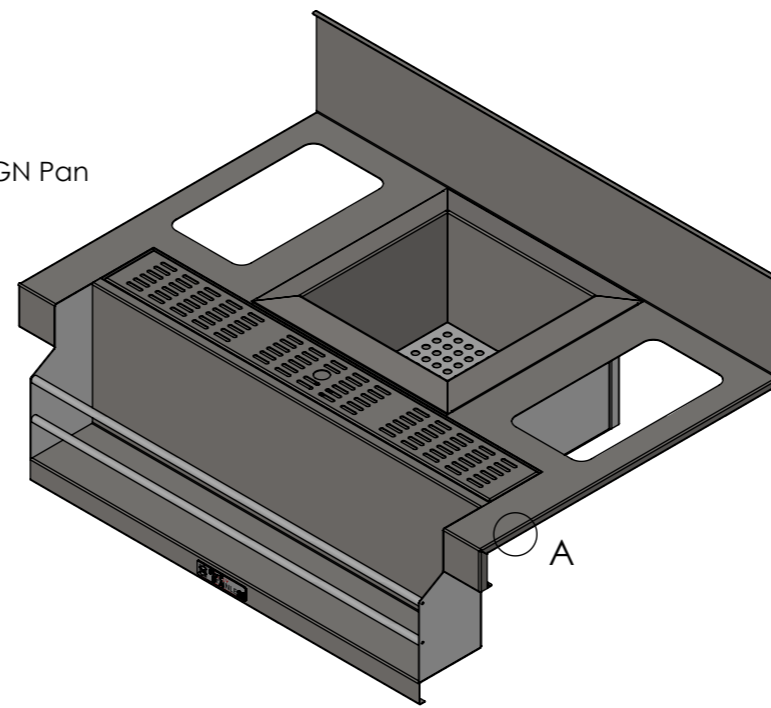


PLAN



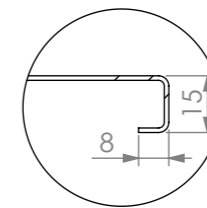
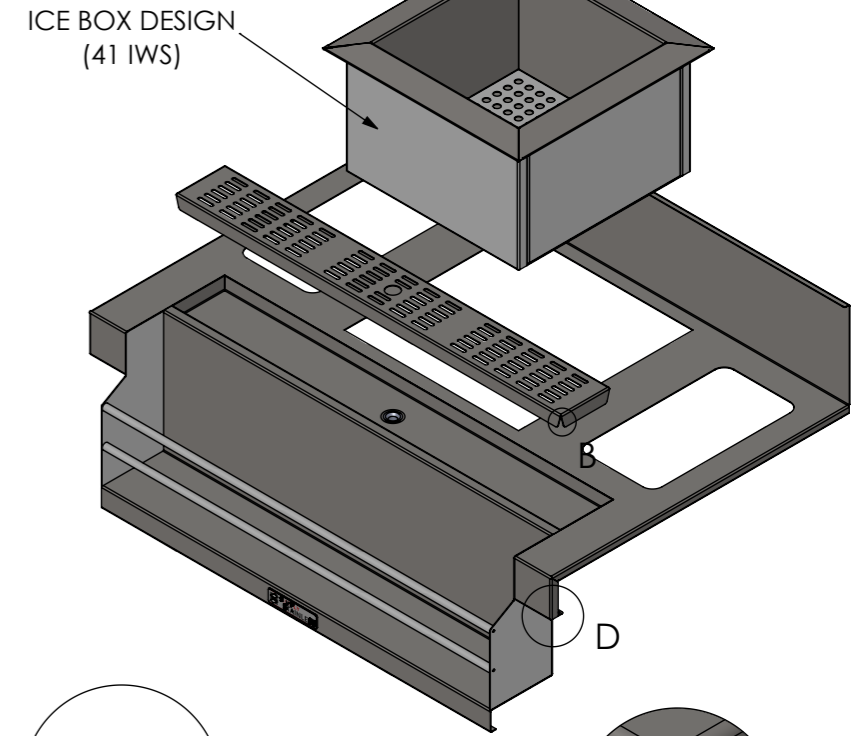
FRONT ELEVATION



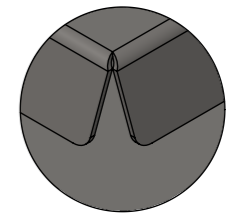
SECTION A-A

Drain 1/2" BSP

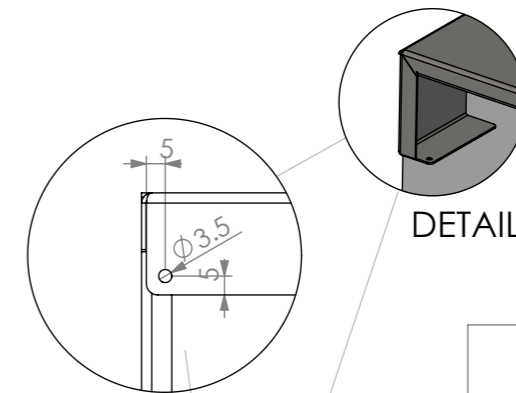
SIDE ELEVATION



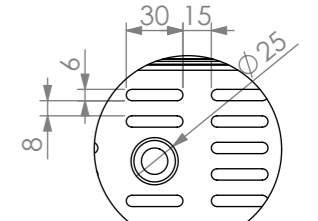
DETAIL A



DETAIL B



DETAIL D



DETAIL C



Simply Bar Solutions

COPYRIGHT © 2020

This drawing is the property of CI GROUP PTY LTD. Tradings as SIMPLY BARS and It may not be copied, reproduced or modified in whole or in part without prior written permission of CI GROUP PTY LTD. SIMPLY BARS reserves the right to change specification and design without notice.

**SBM-CS-6-0950**  
**COCKTAIL STATION, 950mm**

SIZE: A3

SCALE : 1:10

CONSTRUCTION NOTES :

1. TOPS MADE FROM 304 GRADE, 1.2mm STAINLESS STEEL.
2. SPACER MADE FROM 30mm STAINLESS STEEL SQ TUBE.



SPACER X1