

CORNER INFILL DETAIL

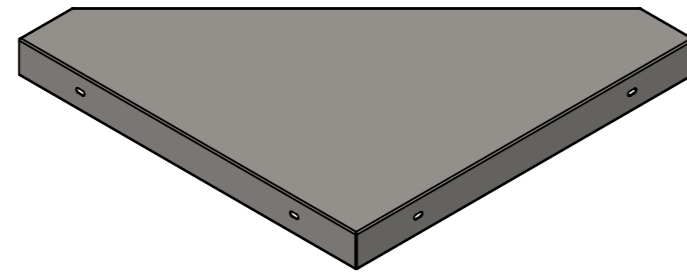
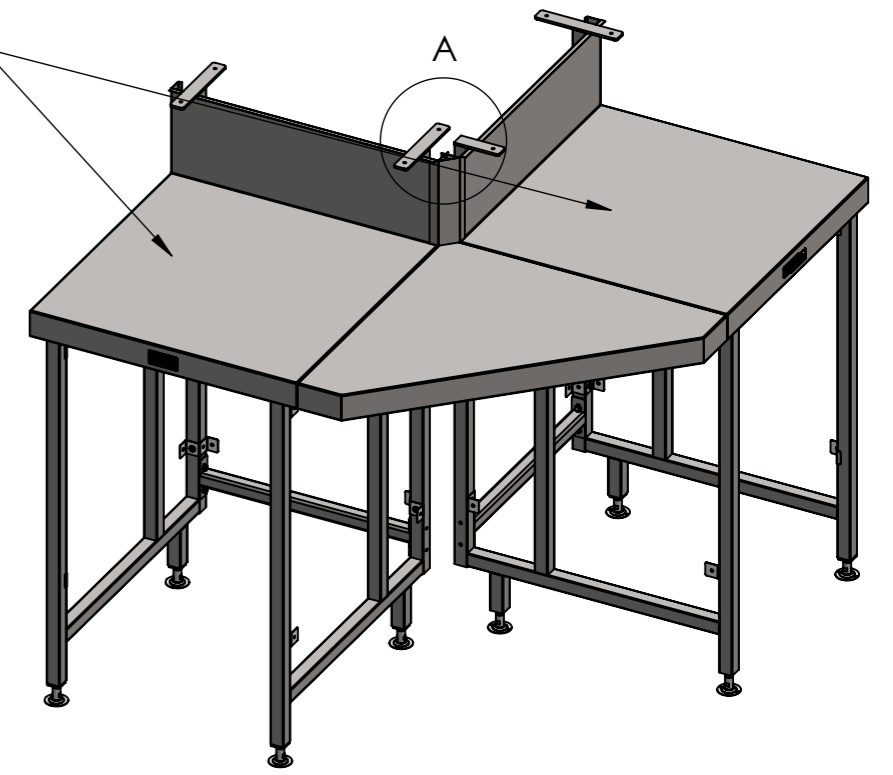
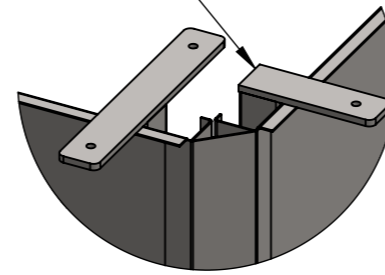


ILLUSTRATION ONLY  
(BENCH NOT INCLUDED)

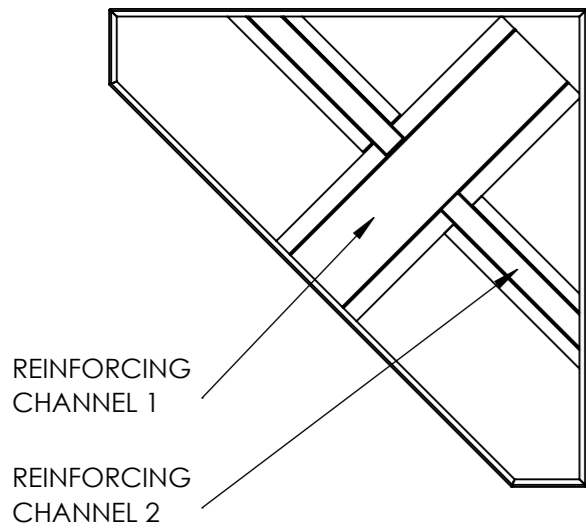


ASSEMBLY VIEW

FLAT BAR MODIFICATION  
REQUIRED

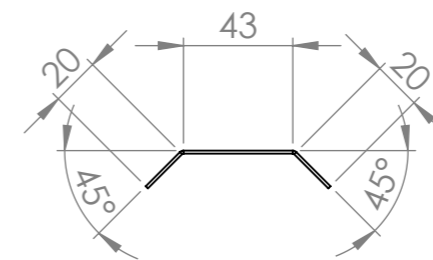
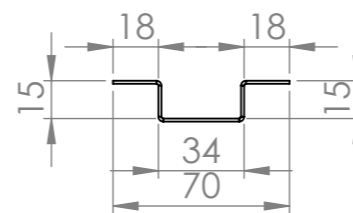
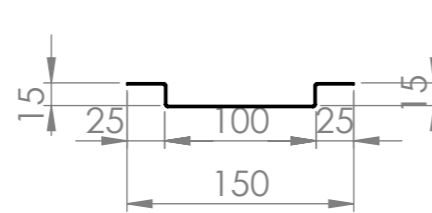
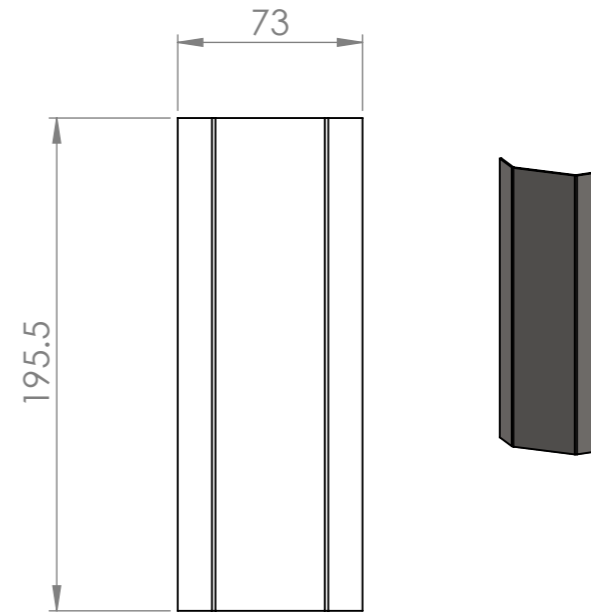
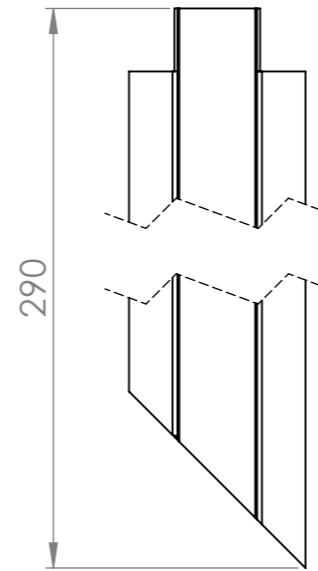
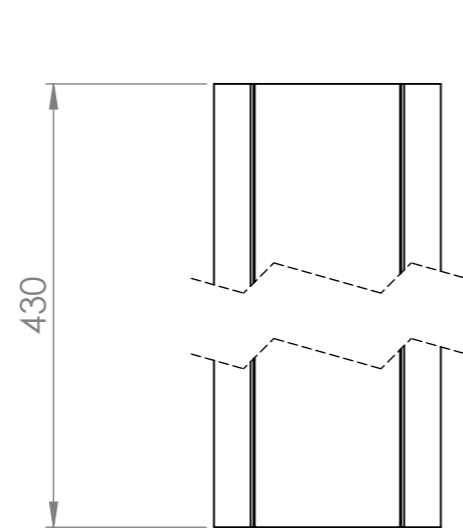


DETAIL A



REINFORCING  
CHANNEL 1

REINFORCING  
CHANNEL 2



REINFORCING CHANNEL DETAIL

UPSTAND INFILL DETAIL

**SIMPLY  
STAINLESS**

Modular Bar Solutions

COPYRIGHT © 2022

This drawing is the property of CI GROUP PTY LTD. Tradings as SIMPLY BARS and It may not be copied, reproduced or modified in whole or in part without prior written permission of CI GROUP PTY LTD. SIMPLY BARS reserves the right to change specification and design without notice.

**SBM-CI-600  
CORNER INFILL, 600mm**

SIZE: A3

SCALE: NTS

CONSTRUCTION NOTES:

1. TOPS MADE FROM 304 GRADE, 1.2mm STAINLESS STEEL.
2. REINFORCING CHANNELS MADE FROM 1.2mm STAINLESS STEEL.

**SBM-CI-600**