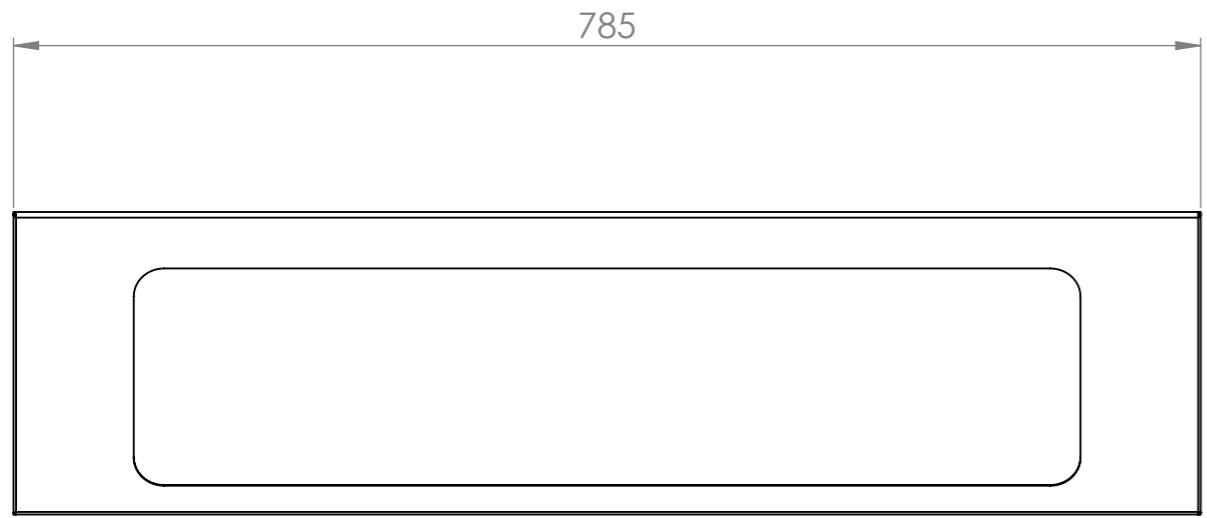
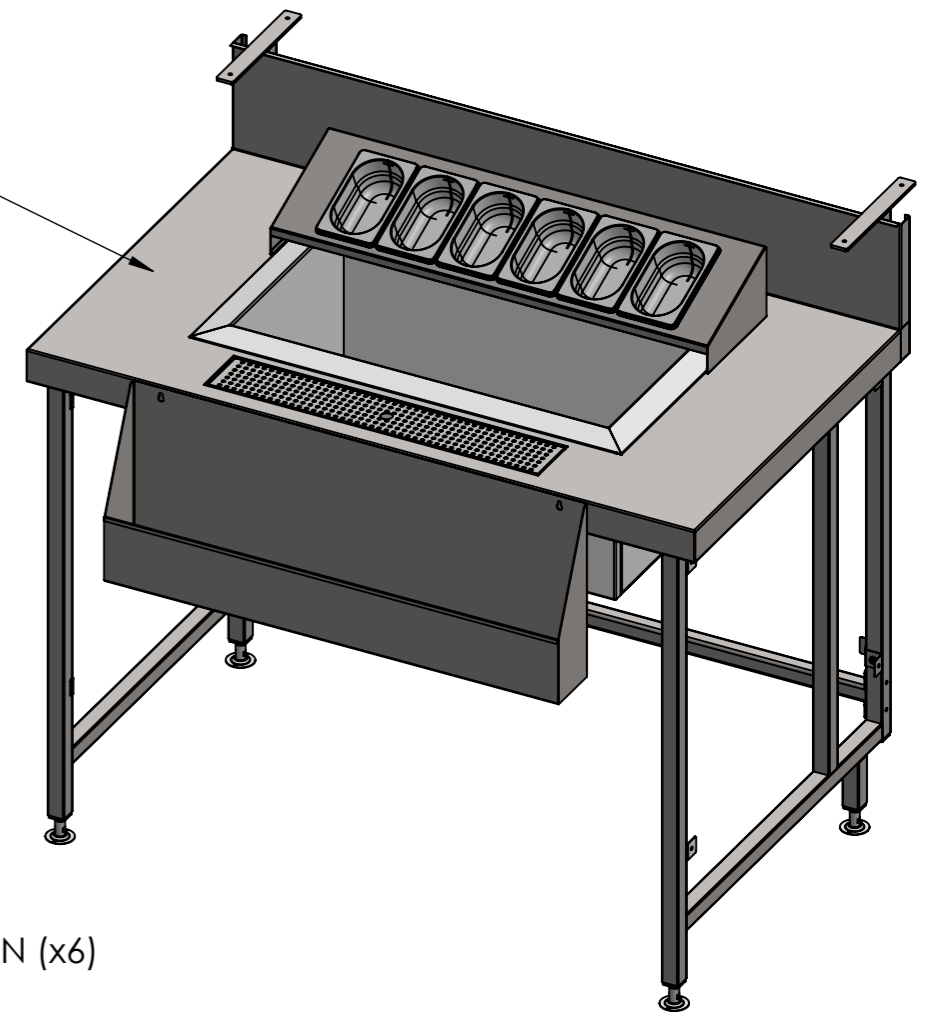
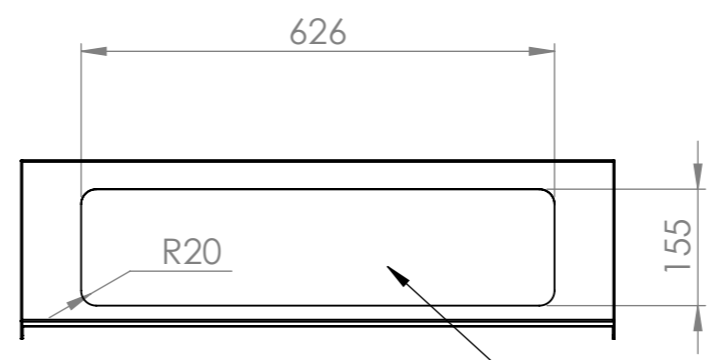


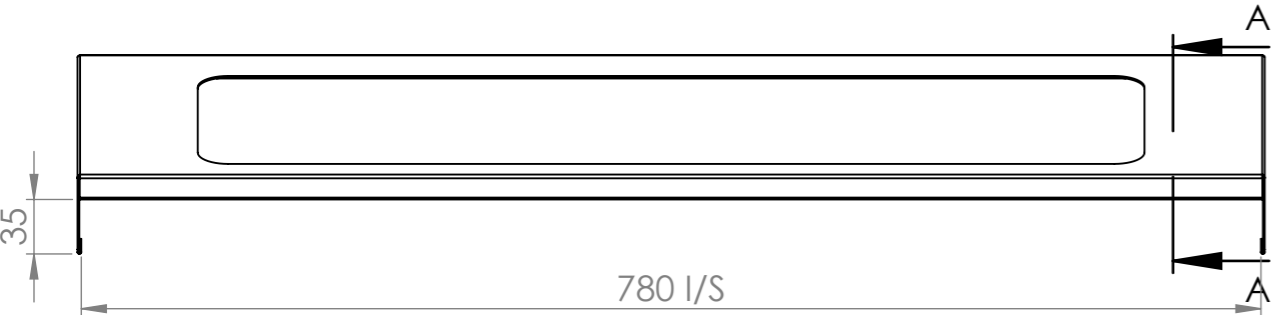
BENCH, GN PANS & ICE WELL,
ARE NOT INCLUDED



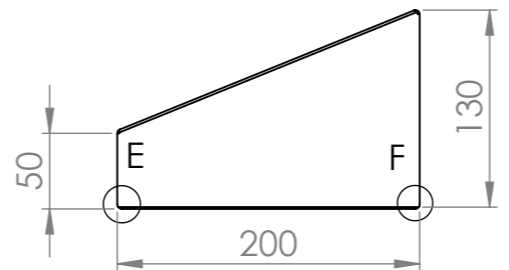
PLAN



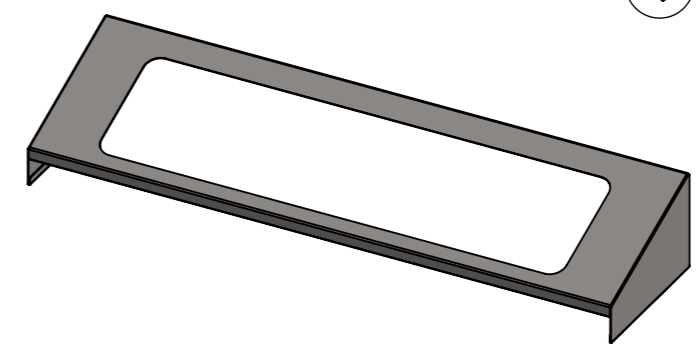
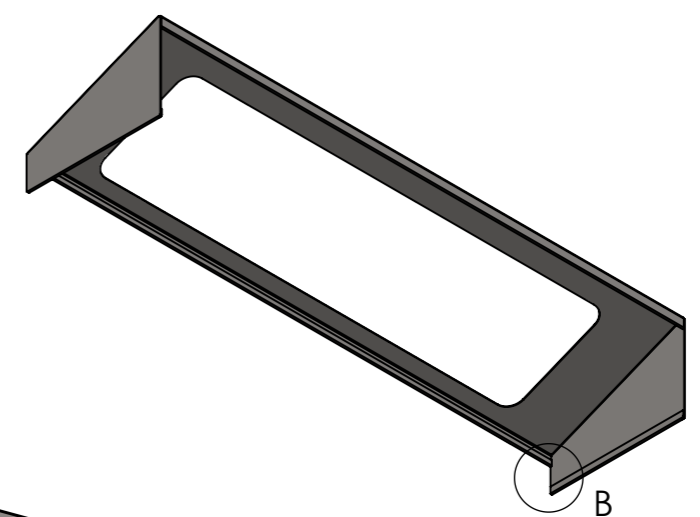
TO SUIT
1/9 GN PAN (x6)



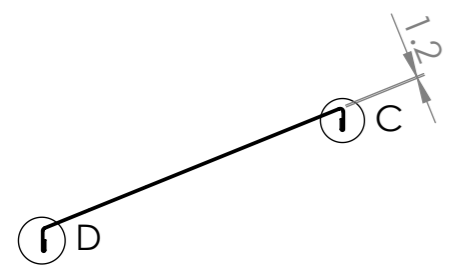
FRONT ELEVATION



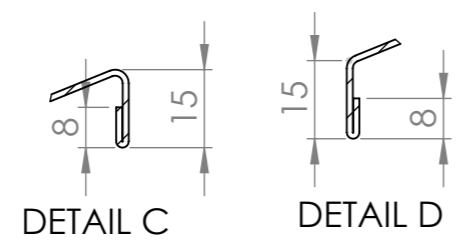
SIDE ELEVATION



SBM-CH-6

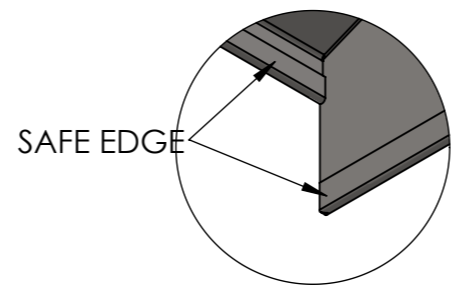


SECTION A-A

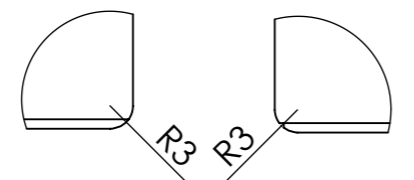


DETAIL C

DETAIL D



DETAIL B



DETAIL F

DETAIL E

SIMPLY
STAINLESS

Modular Bar Solutions

COPYRIGHT © 2021
This drawing is the property of CI GROUP PTY LTD.
Tradings as SIMPLY BARS and It may not be
copied, reproduced or modified in whole or in part
without prior written permission of CI GROUP PTY
LTD. SIMPLY BARS reserves the right to
change specification and design without notice.

SBM-CH-6
CONDIMENT HOLDER 6 PAN

SIZE: A3

SCALE: NTS

CONSTRUCTION NOTES :

1. TOPS MADE FROM 1.2mm STAINLESS STEEL.