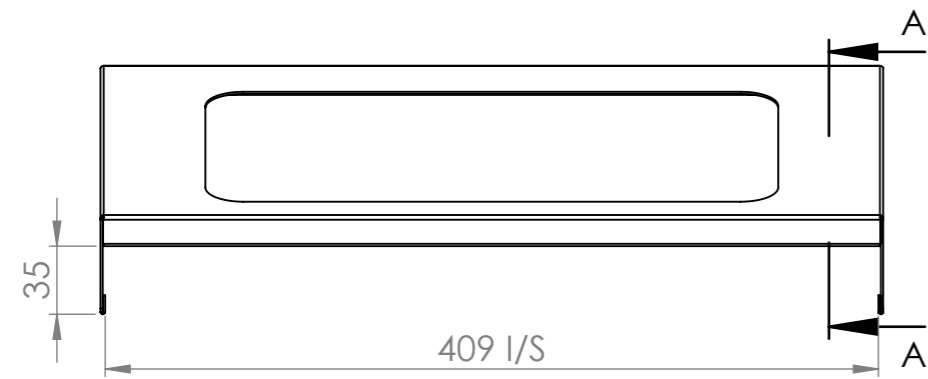
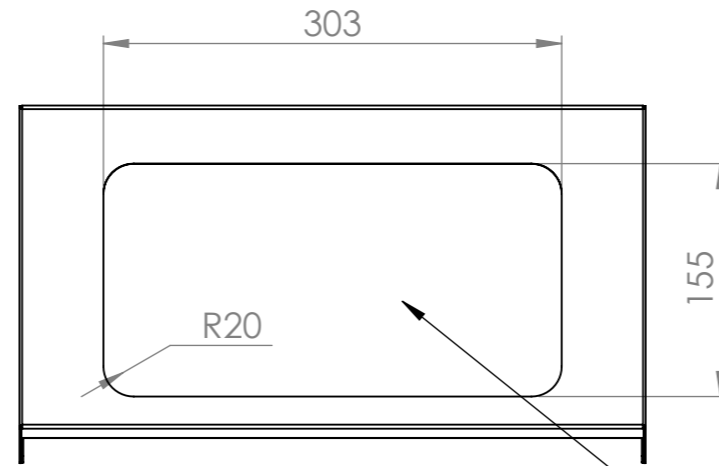
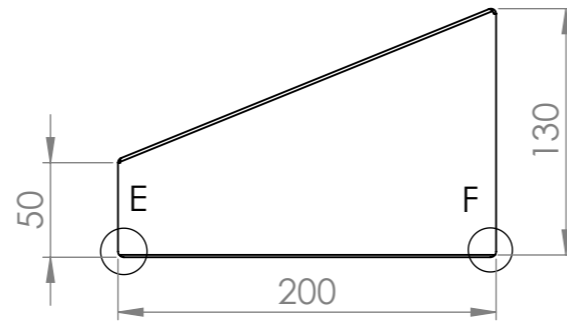


PLAN

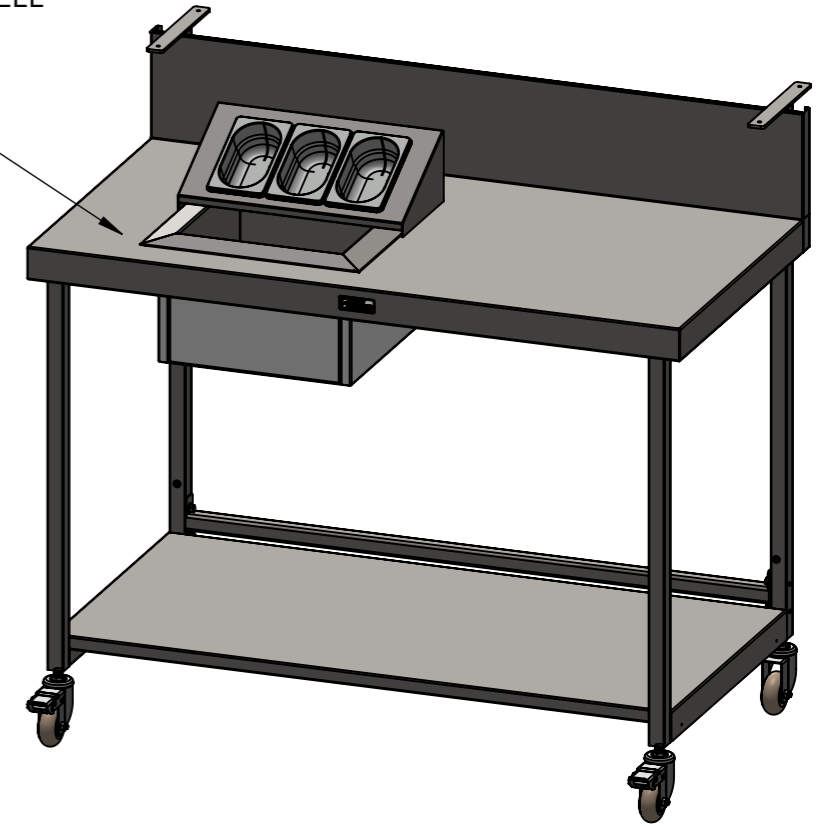


FRONT ELEVATION

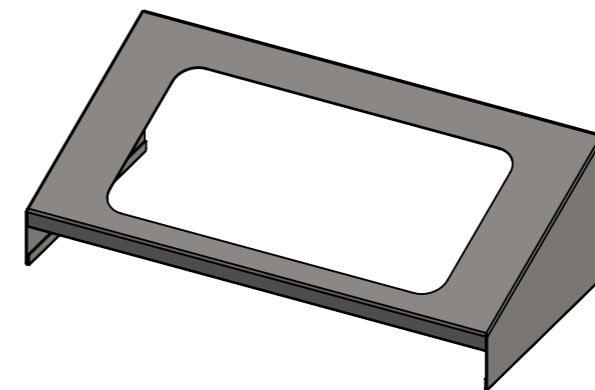
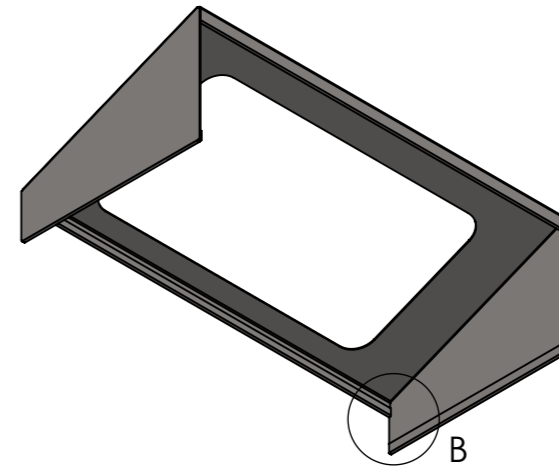


SIDE ELEVATION

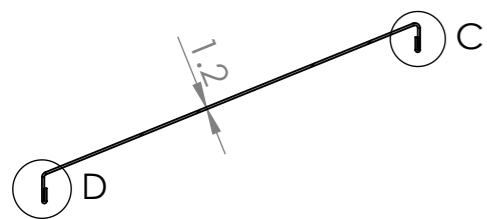
BENCH, GN PANS & ICE WELL NOT INCLUDED



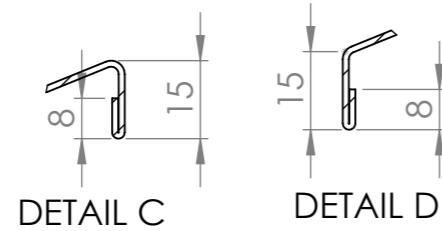
TO SUIT
1/9 GN PAN (x3)



SBM-CH-3

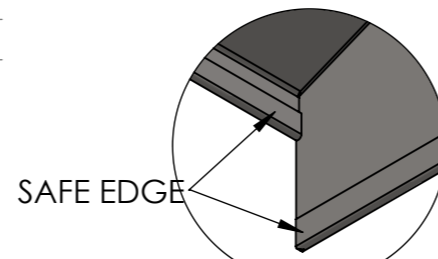


SECTION A-A

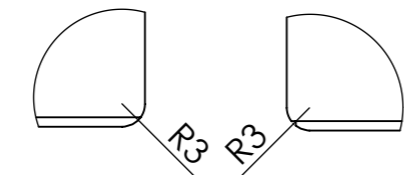


DETAIL C

DETAIL D



DETAIL B



DETAIL F

DETAIL E

SIMPLY STAINLESS

Modular Bar Solutions

COPYRIGHT © 2021
This drawing is the property of CI GROUP PTY LTD. Tradings as SIMPLY BARS and It may not be copied, reproduced or modified in whole or in part without prior written permission of CI GROUP PTY LTD. SIMPLY BARS reserves the right to change specification and design without notice.

SBM-CH-3
CONDIMENT HOLDER

SIZE: A3

SCALE: NTS

CONSTRUCTION NOTES :

1. TOPS MADE FROM 1.2mm STAINLESS STEEL.