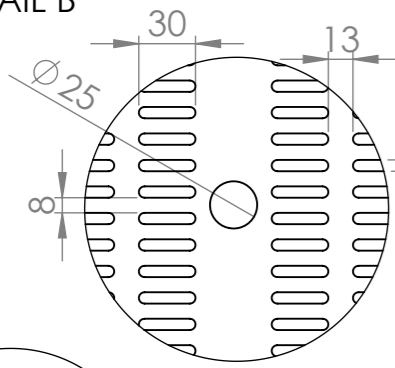
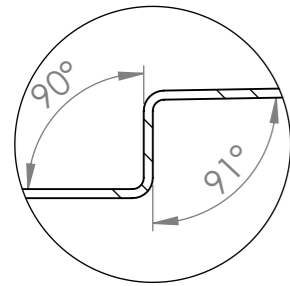


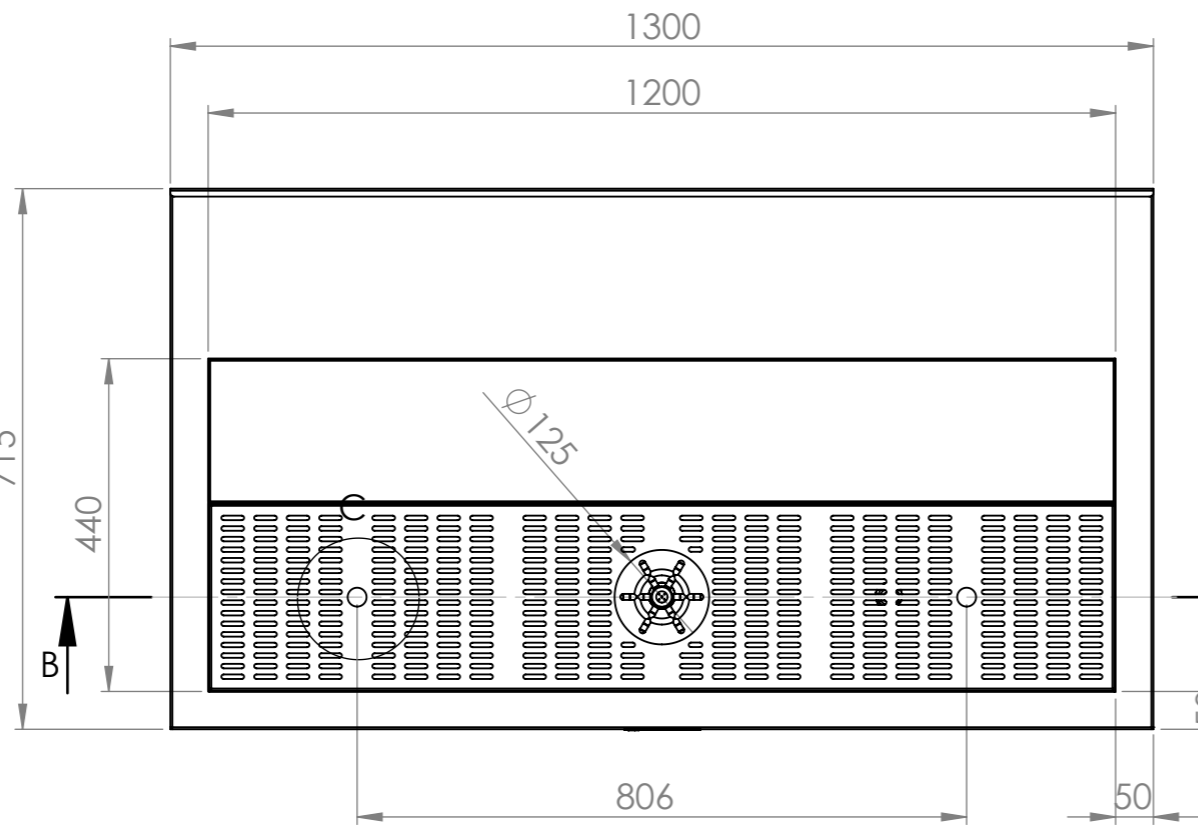
DETAIL B



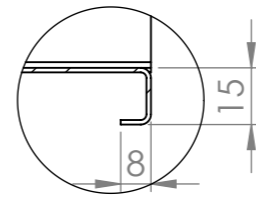
DETAIL C



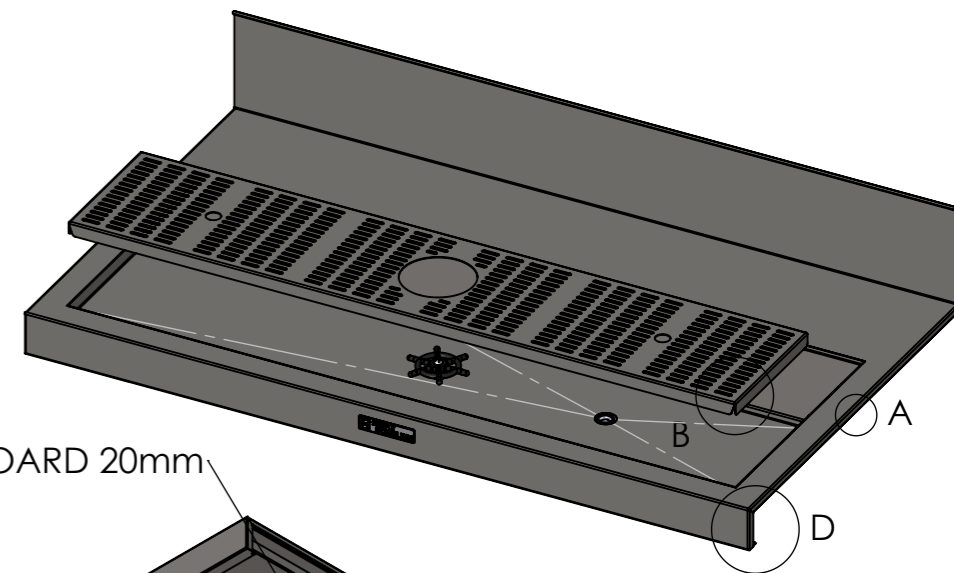
DETAIL E



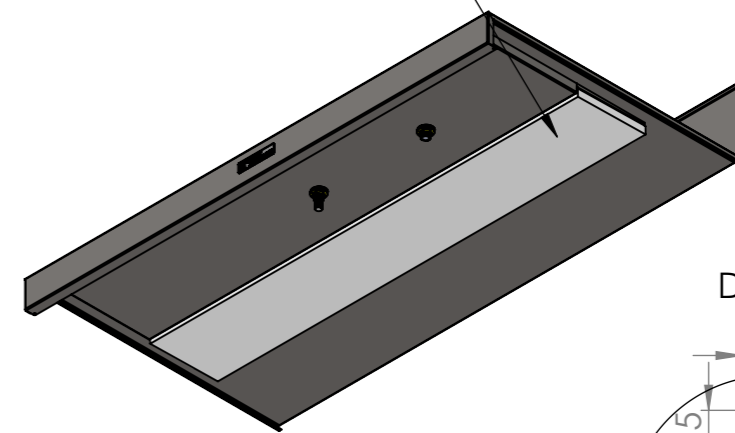
PLAN



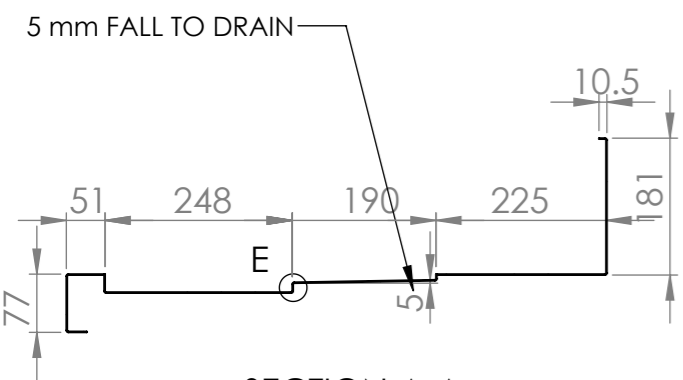
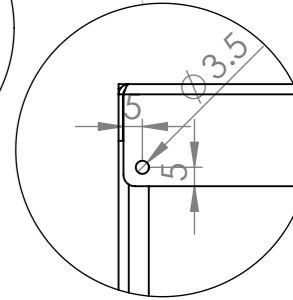
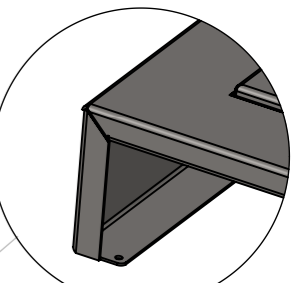
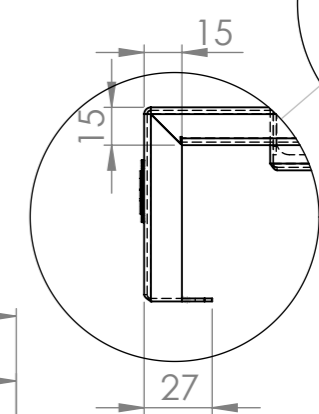
DETAIL A



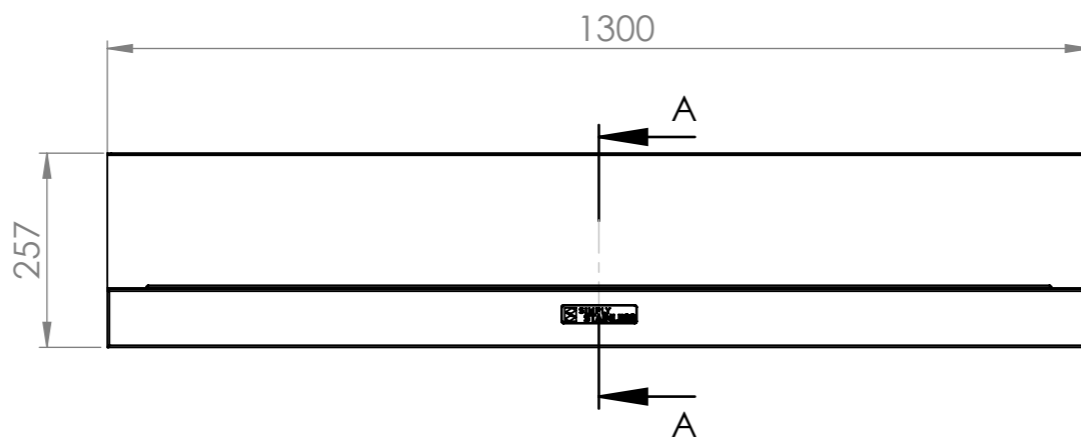
POLYETHERLYNE BOARD 20mm



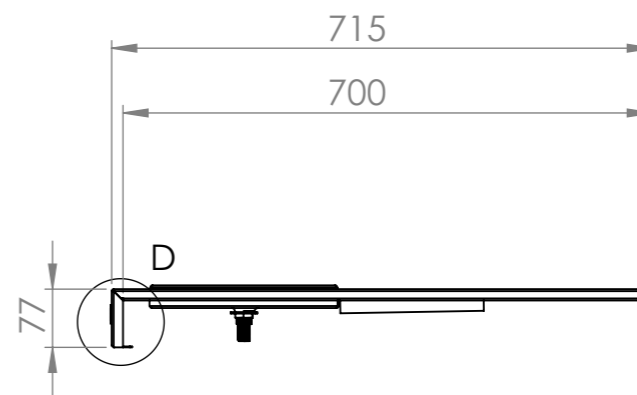
DETAIL D



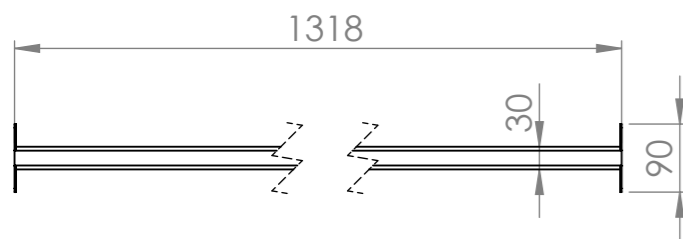
SECTION A-A



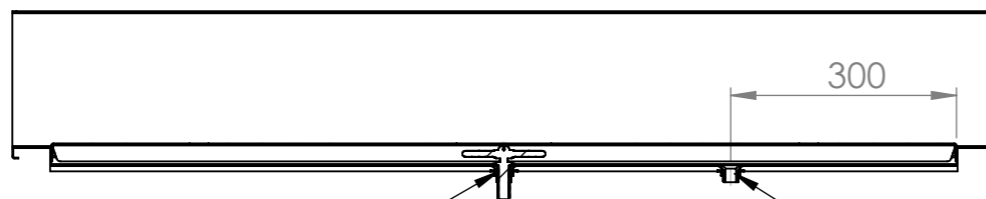
FRONT ELEVATION



SIDE ELEVATION



SPACER X1



1/2" BSP TO GLASS RINSE

SECTION B-B

1/2" BSP DRAIN

SBM-BS-GR-7-1300



Simply Bar Solutions

COPYRIGHT © 2020

This drawing is the property of CI GROUP PTY LTD. Tradings as SIMPLY BARS and It may not be copied, reproduced or modified in whole or in part without prior written permission of CI GROUP PTY LTD. SIMPLY BARS reserves the right to change specification and design without notice.

SBM-BS-GR-7-1300
BEER STATION W/GLASS RINSE, 1300mm

SIZE: A3

SCALE: 1:10

CONSTRUCTION NOTES:

1. TOPS MADE FROM 304 GRADE, 1.2mm STAINLESS STEEL.
2. SPACER MADE FROM 30mm STAINLESS STEEL SQ TUBE.