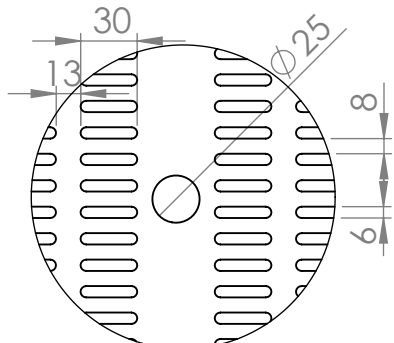
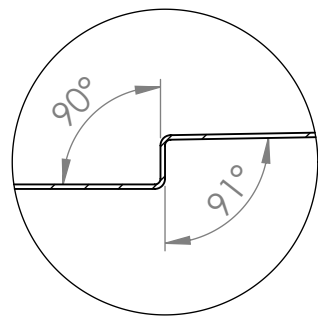


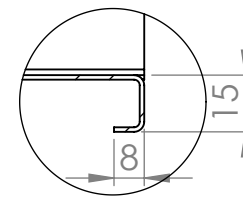
DETAIL B



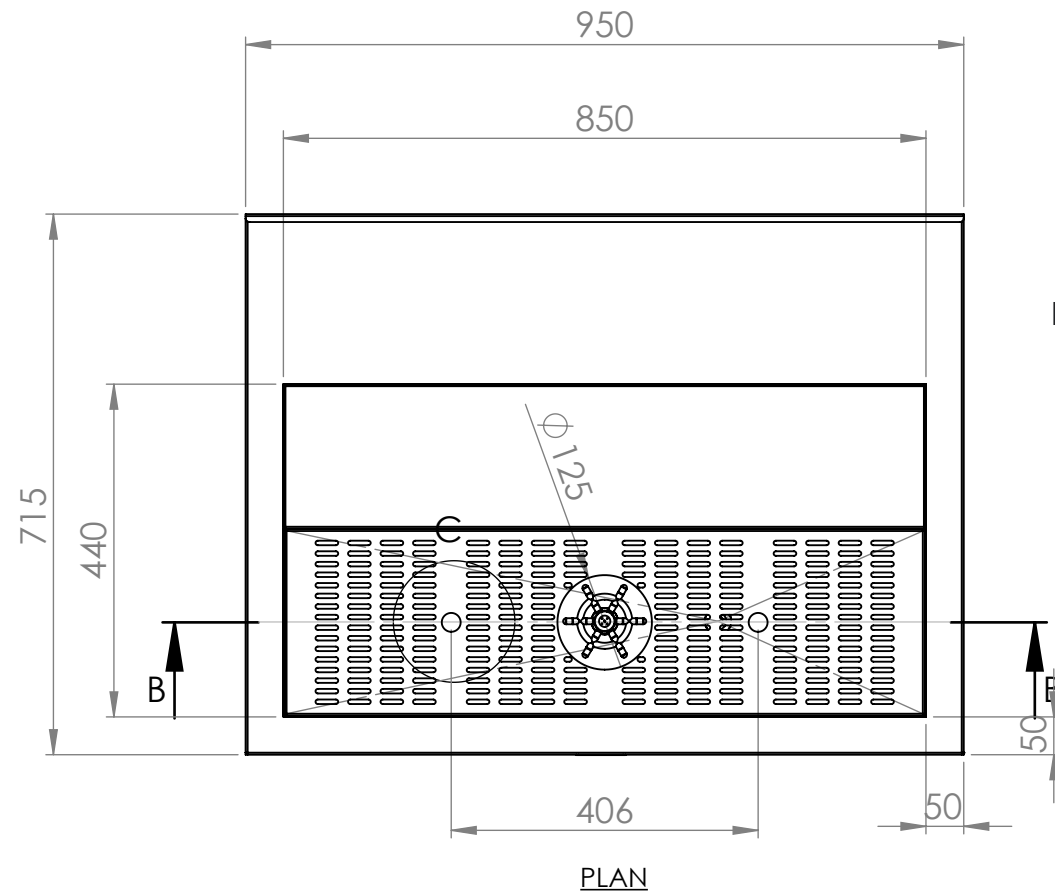
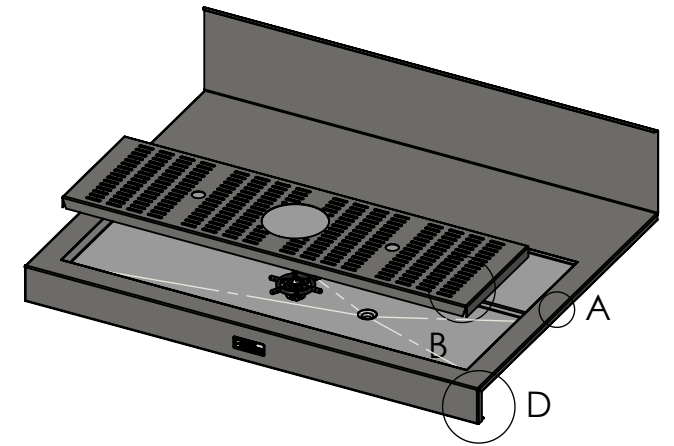
DETAIL C



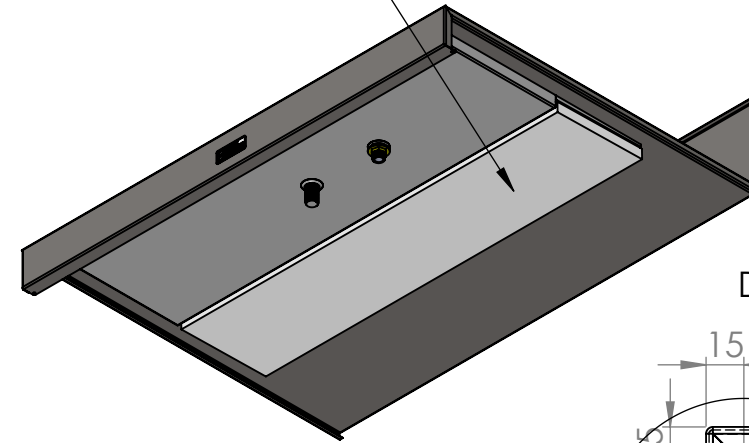
DETAIL E



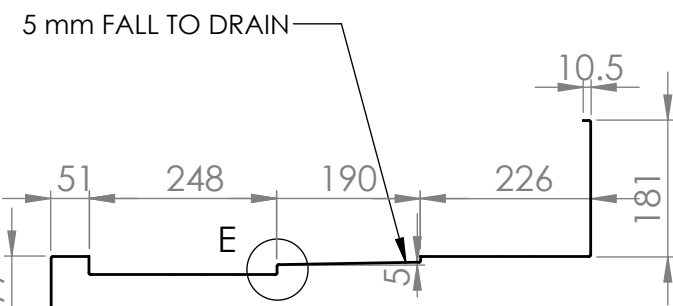
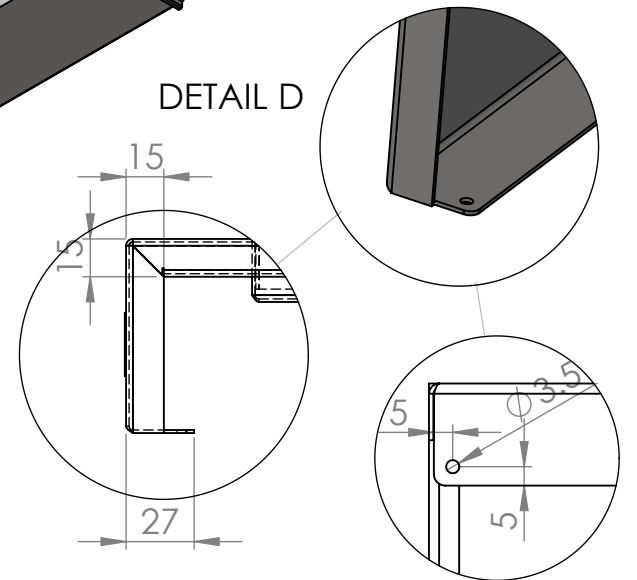
DETAIL A



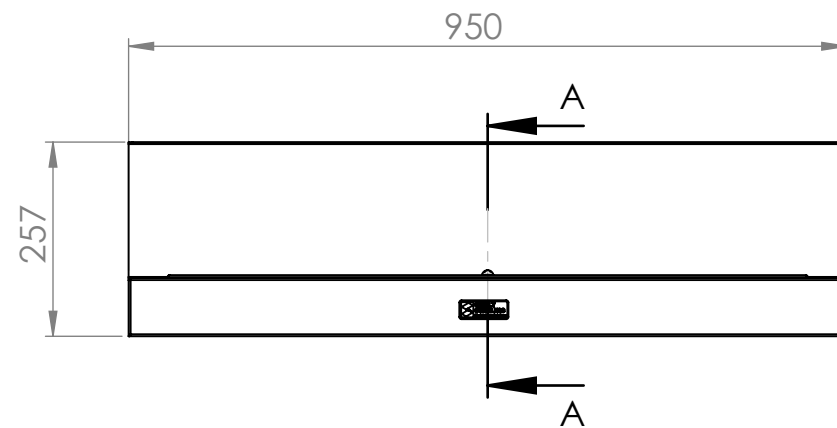
POLYURETHANE BOARD



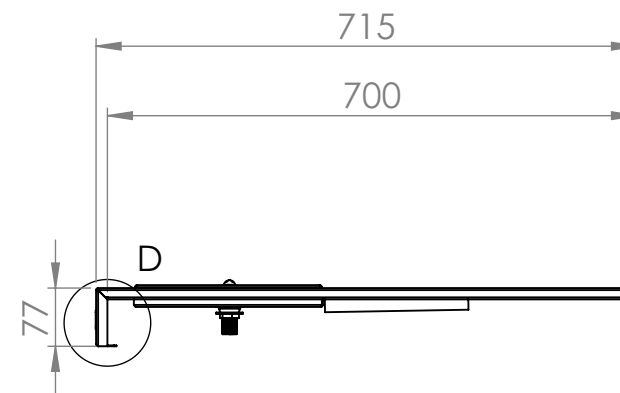
DETAIL D



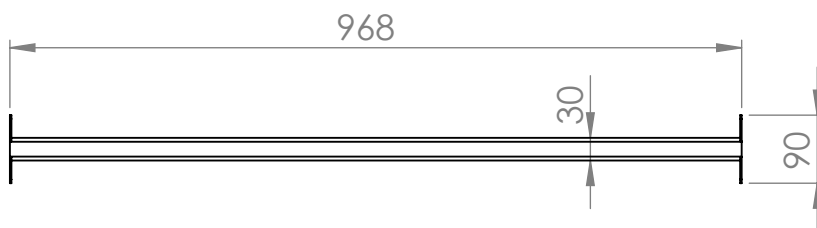
SECTION A-A



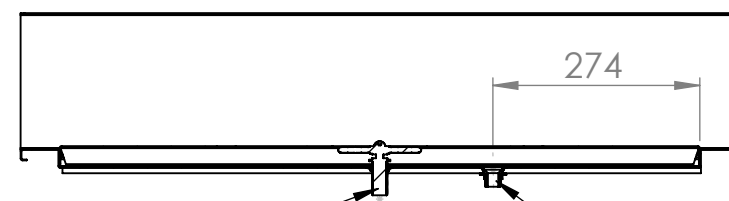
FRONT ELEVATION



SIDE ELEVATION



SPACER X1



SECTION B-B

1/2" BSP TO GLASS RINSE

1/2" BSP DRAIN

**SBM-BS-GR-7-0950**



Modular Bar Solutions

COPYRIGHT © 2022

This drawing is the property of CI GROUP PTY LTD. Tradings as SIMPLY BARS and It may not be copied, reproduced or modified in whole or in part without prior written permission of CI GROUP PTY LTD. SIMPLY BARS reserves the right to change specification and design without notice.

**SBM-BS-GR-7-0950**  
**BEER STATION W/GLASS RINSE, 950mm**

SIZE: A3

SCALE : 1:10

CONSTRUCTION NOTES :

1. TOPS MADE FROM 304 GRADE, 1.2mm STAINLESS STEEL.
2. SPACER MADE FROM 30mm STAINLESS STEEL SQ TUBE.



WMTS.101  
WM-040293  
SIMPLY STAINLESS  
Model Number : SBM-BS-GR-7-0950