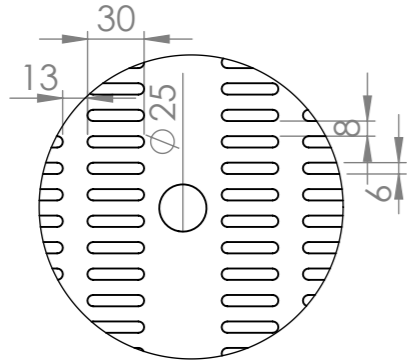
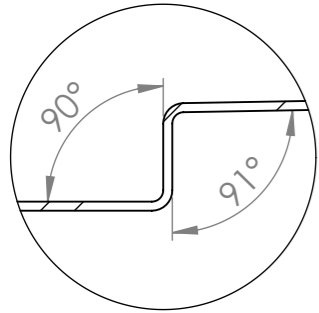


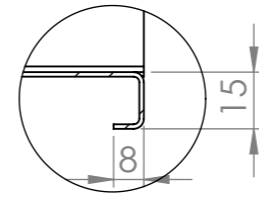
DETAIL B



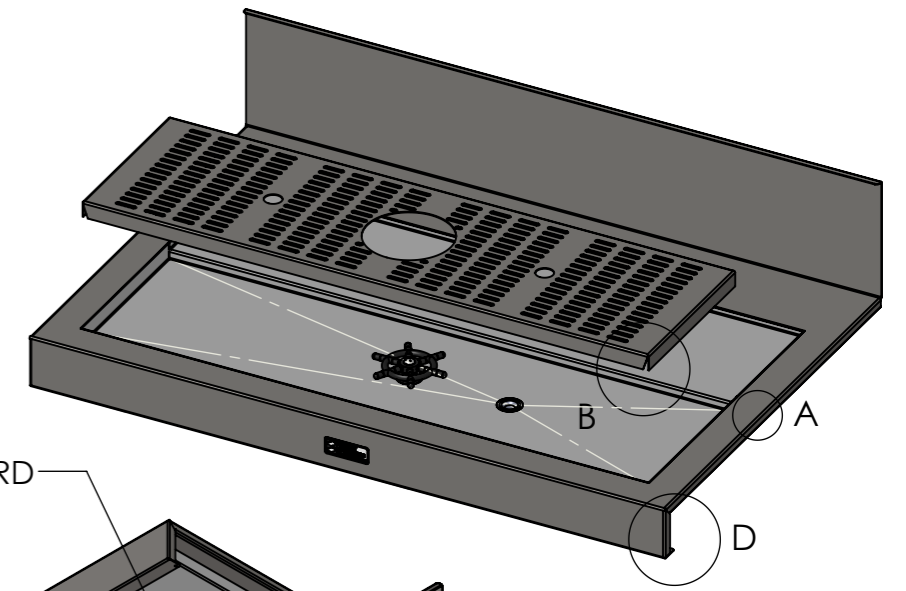
DETAIL C



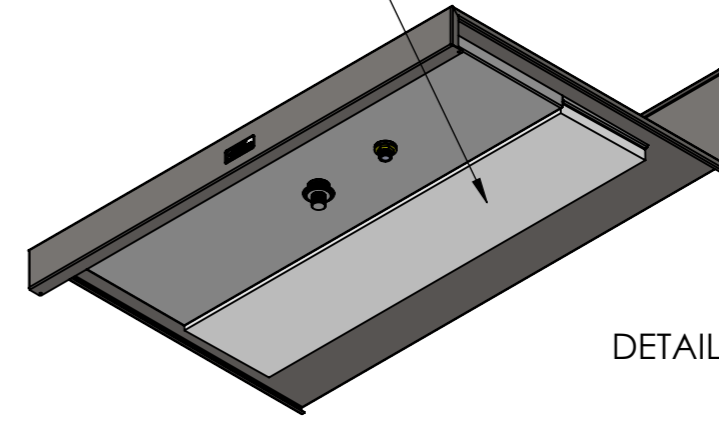
DETAIL E



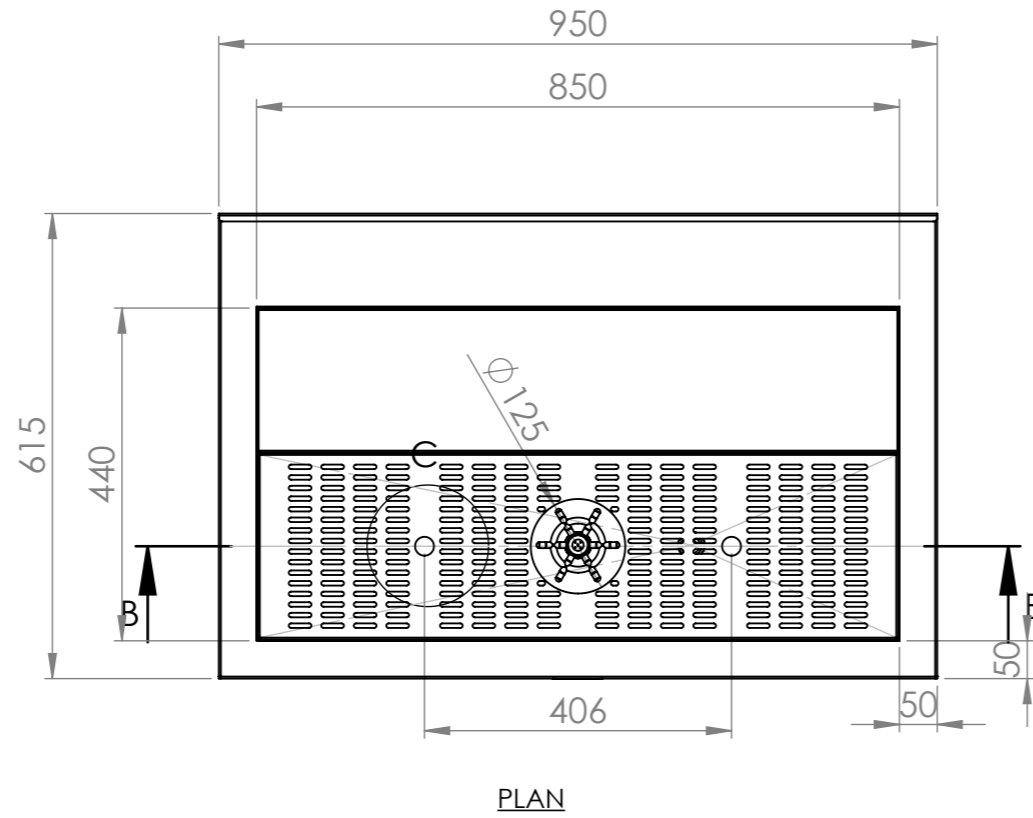
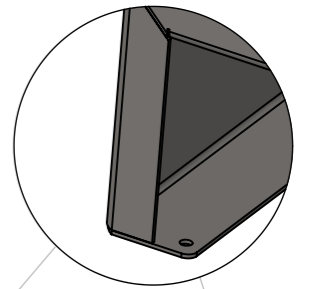
DETAIL A



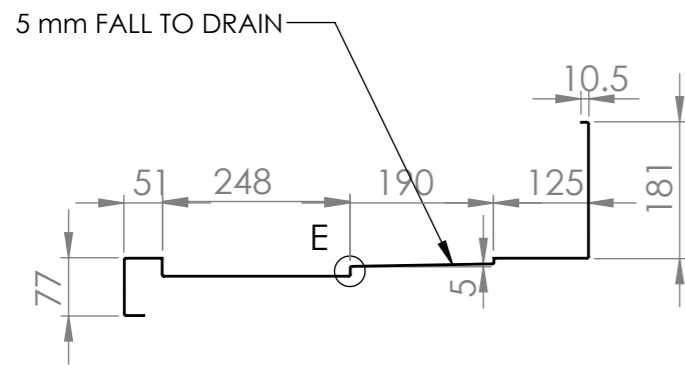
POLYURETHANE BOARD



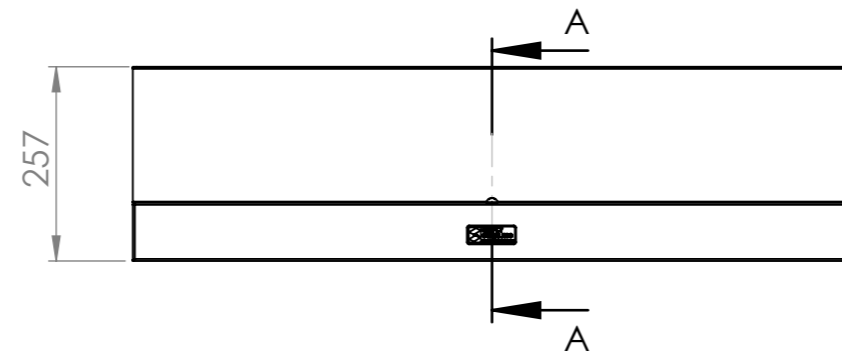
DETAIL D



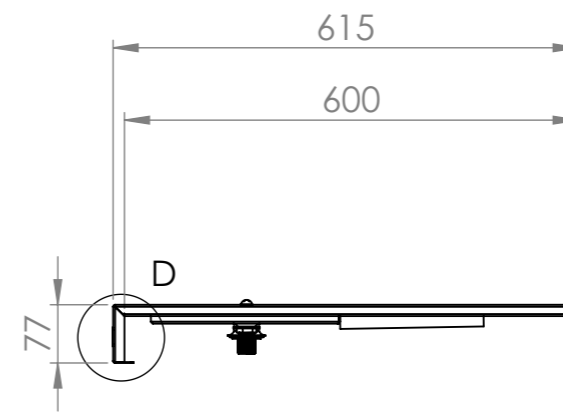
PLAN



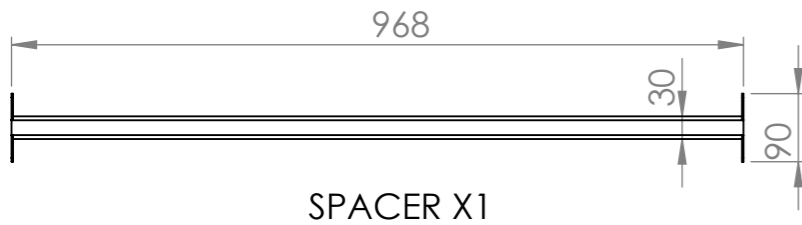
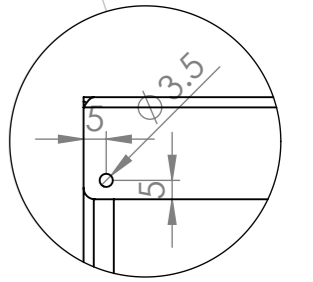
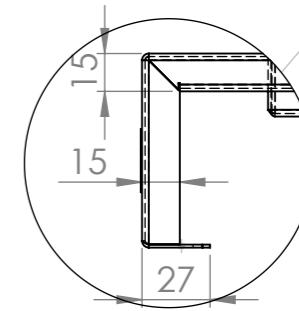
SECTION A-A



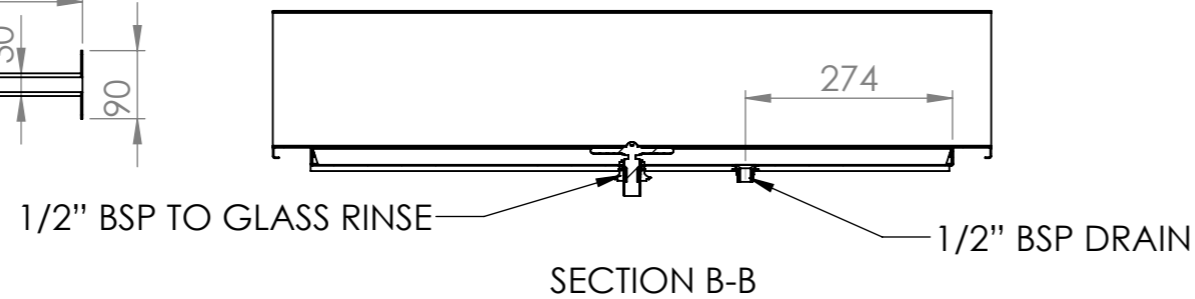
FRONT ELEVATION



SIDE ELEVATION



SPACER X1



SECTION B-B

**SBM-BS-GR-6-0950**

**SIMPLY STAINLESS**  
Modular Bar Solutions  
COPYRIGHT © 2022  
This drawing is the property of CI GROUP PTY LTD. Tradings as SIMPLY BARS and It may not be copied, reproduced or modified in whole or in part without prior written permission of CI GROUP PTY LTD. SIMPLY BARS reserves the right to change specification and design without notice.

**SBM-BS-GR-6-0950**  
**BEER STATION W/GLASS RINSE 950mm**

SIZE: A3

SCALE: 1:10

CONSTRUCTION NOTES:

1. TOPS MADE FROM 304 GRADE, 1.2mm STAINLESS STEEL.
2. SPACER MADE FROM 30mm STAINLESS STEEL SQ TUBE.



WMTS.101  
WM-040293  
SIMPLY STAINLESS  
Model Number : SBM-BS-GR-6-0950