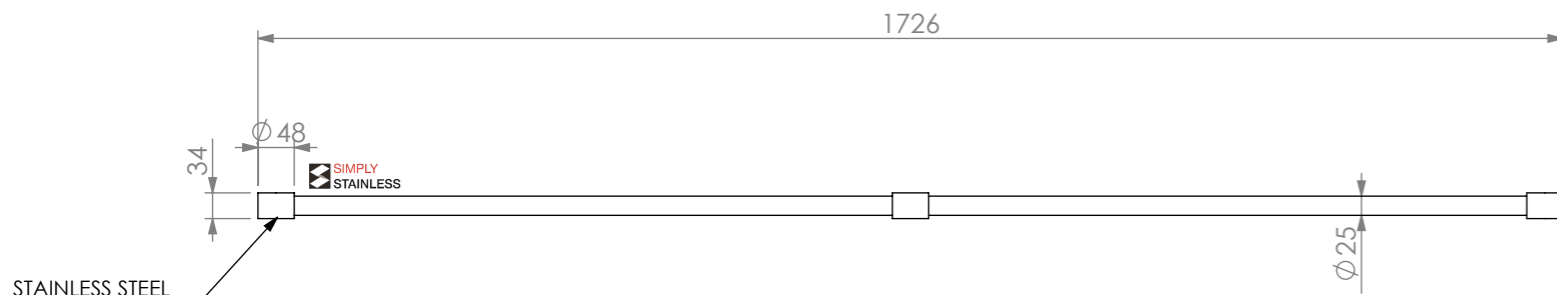
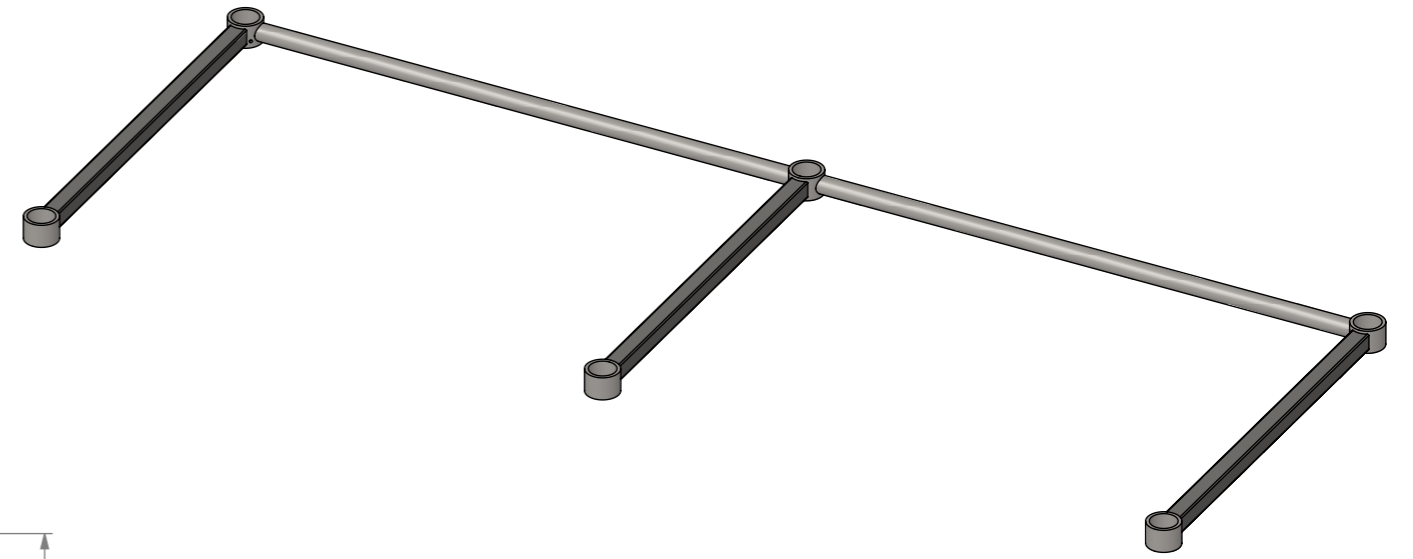
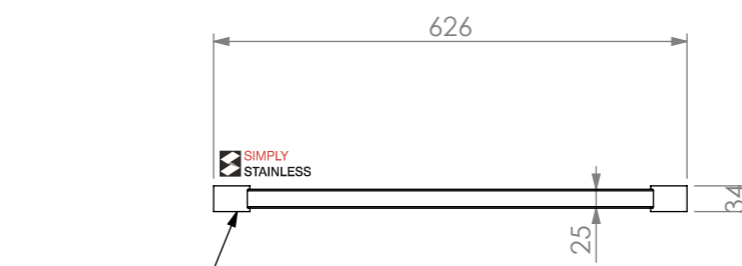


PLAN



FRONT ELEVATION

STAINLESS STEEL SOCKETS IN ALL CORNERS



SIDE ELEVATION

STAINLESS STEEL SOCKETS IN ALL CORNERS

**22-LB-7-1800C**



Modular Sinks, Tables & Shelving  
COPYRIGHT © 2022

This drawing is the property of CI GROUP PTY LTD. Tradings as SIMPLY STAINLESS and it may not be copied, reproduced or modified in whole or in part without prior written permission of CI GROUP PTY LTD. SIMPLY STAINLESS reserves the right to change specification and design without notice.

**22-LB-7-1800C  
LEG BRACE**

SIZE: A3

SCALE : 1:5

CONSTRUCTION NOTES :

1. FRAME MADE FROM 25mm STAINLESS STEEL ROUND TUBE & SQUARE TUBE
2. CORNERS MADE FROM STAINLESS STEEL SOCKETS TO SUIT 38mm LEG.