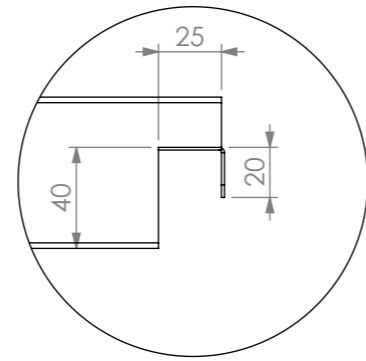
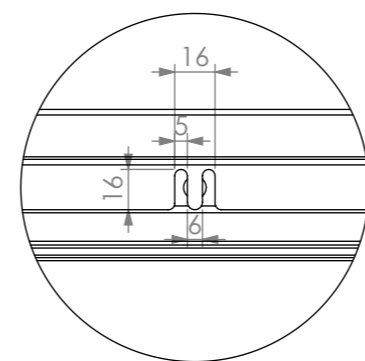


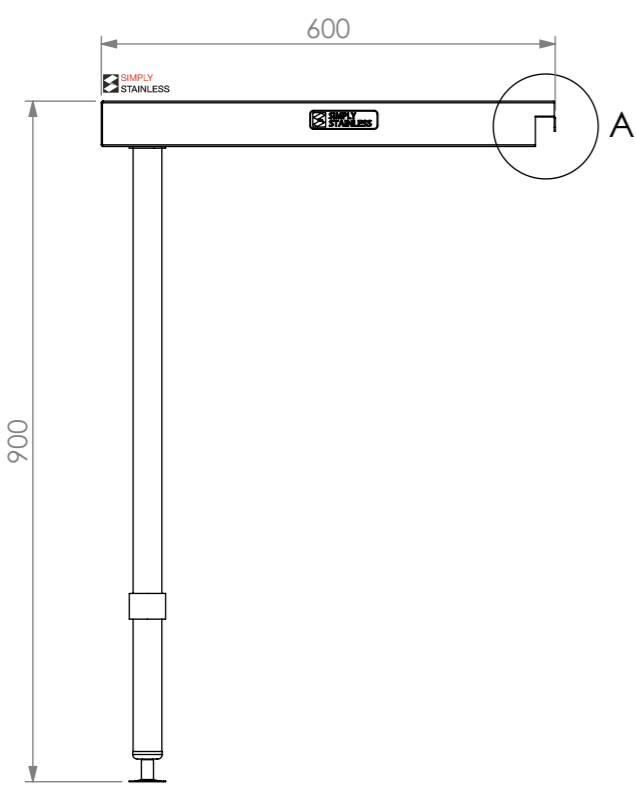
PLAN



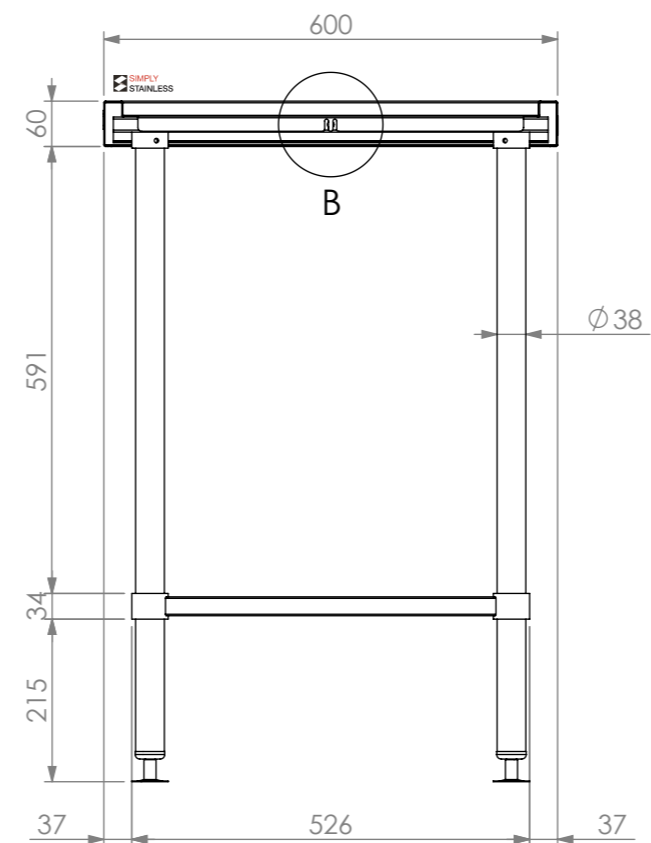
DETAIL A



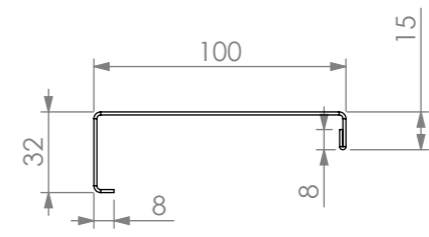
DETAIL B



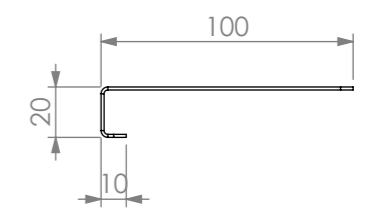
FRONT ELEVATION



SIDE ELEVATION



REINFORCING CHANNEL I  
DETAIL



REINFORCING CHANNEL II  
DETAIL

**SIMPLY STAINLESS**  
 Modular Sinks, Tables & Shelving  
 COPYRIGHT © 2022  
 This drawing is the property of CI GROUP PTY LTD. Tradings as SIMPLY STAINLESS and It may not be copied, reproduced or modified in whole or in part without prior written permission of CI GROUP PTY LTD. SIMPLY STAINLESS reserves the right to change specification and design without notice.

**37-6-0600**  
**DISHWASH ENTRY/EXIT**

SIZE: A3 SCALE : 1:10

- CONSTRUCTION NOTES :
1. TOPS MADE FROM 1.2mm STAINLESS STEEL.
  2. REINFORCING CHANNEL I & II MADE FROM 1.2mm STAINLESS STEEL.
  3. FRAME MADE FROM 25x25mm STAINLESS STEEL SQUARE TUBE
  4. UNDERSHELF MADE FROM 1.2mm STAINLESS STEEL WITH STAINLESS STEEL TUBE SUPPORT.
  5. FEET ARE ADJUSTABLE STAINLESS STEEL DISC SHAPED FEET.

**37-6-0600**