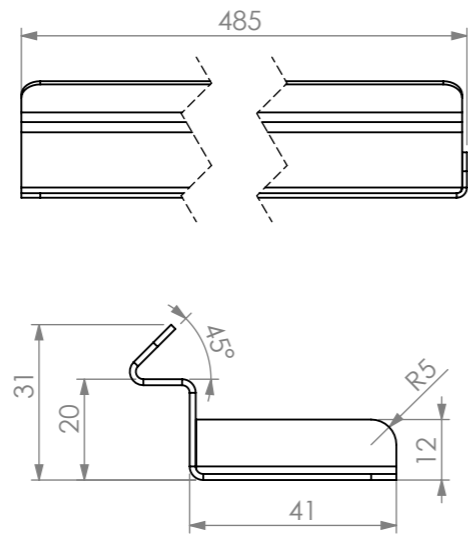
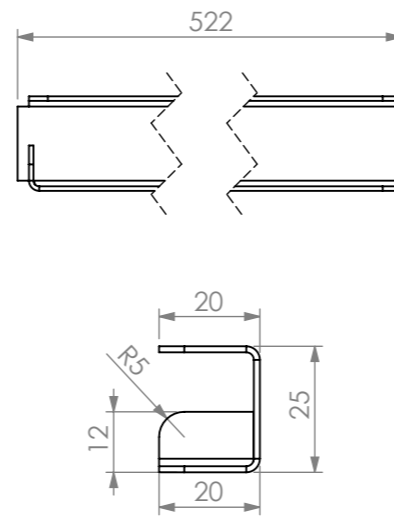


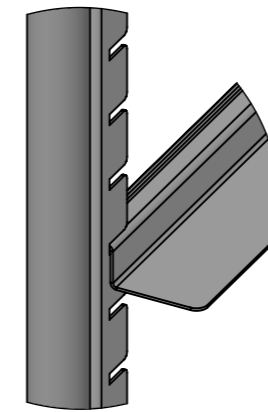
PLAN



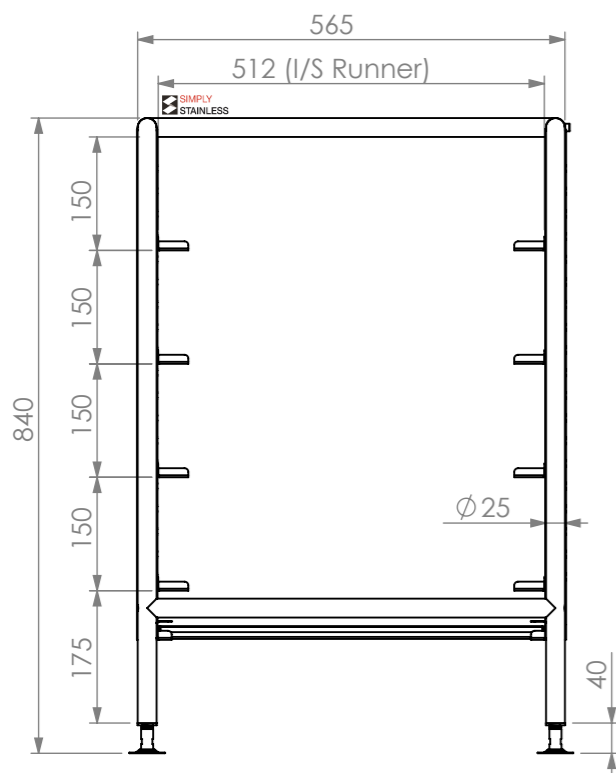
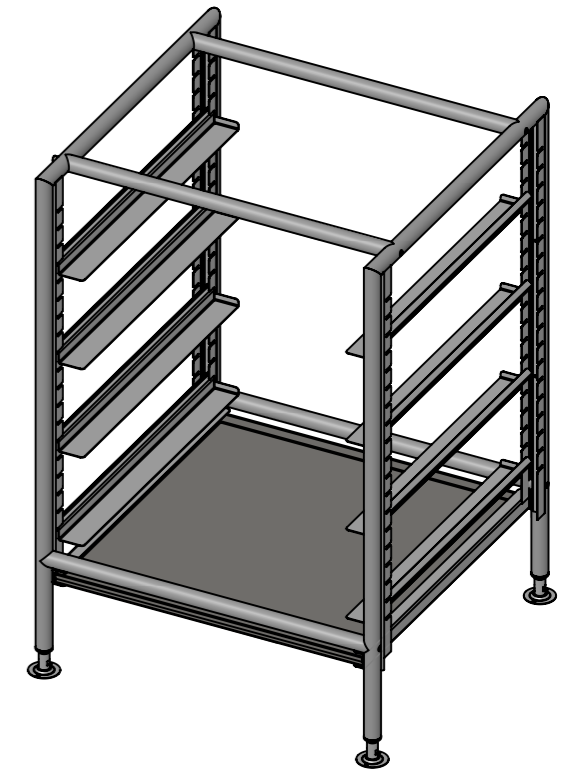
Adjustable Runner Profile



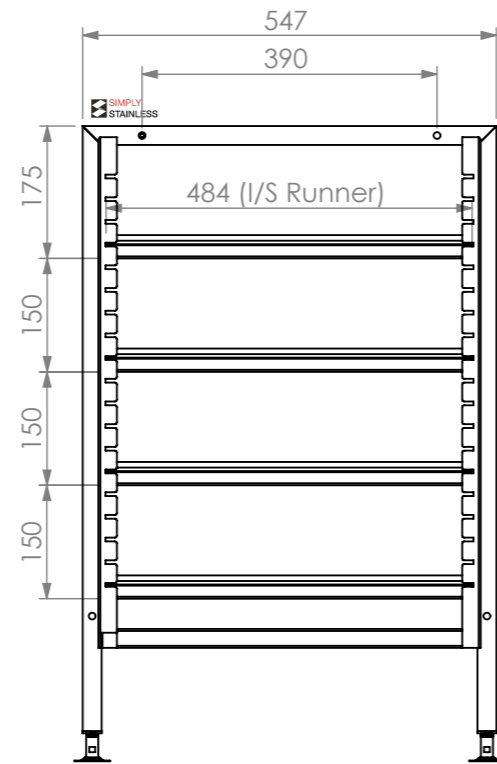
Drip Tray Runner Profile



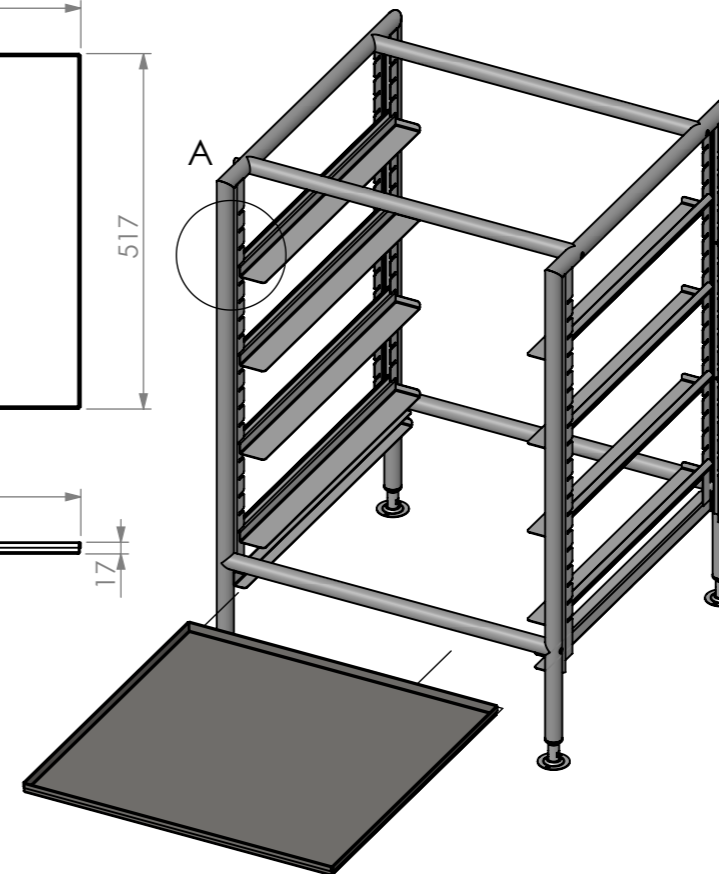
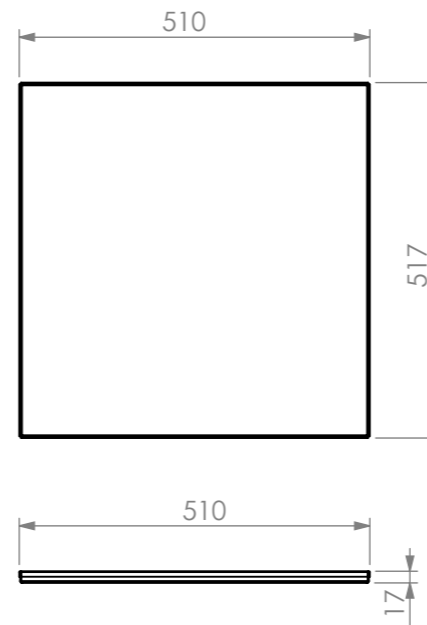
Detail A



FRONT ELEVATION



SIDE ELEVATION



36 - DBS

SIMPLY STAINLESS
 Modular Sinks, Tables & Shelving
 COPYRIGHT © 2022
 This drawing is the property of CI GROUP PTY LTD. Tradings as SIMPLY STAINLESS and it may not be copied, reproduced or modified in whole or in part without prior written permission of CI GROUP PTY LTD. SIMPLY STAINLESS reserves the right to change specification and design without notice.

36-DBS
DISHWASH BASKET STAND

SIZE: A3

SCALE: 1:10

CONSTRUCTION NOTES:

1. RUNNERS MADE FROM 1.2mm STAINLESS STEEL.
2. TRAY MADE FROM 1.2mm STAINLESS STEEL.
3. FRAME MADE FROM Ø25mm STAINLESS STEEL TUBE.
4. FEET ARE ADJUSTABLE STAINLESS STEEL DISC SHAPED FEET.