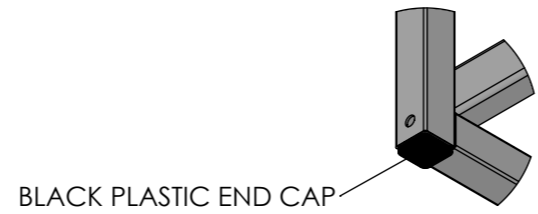
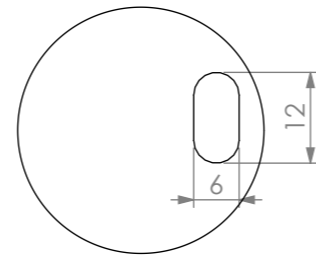


PLAN

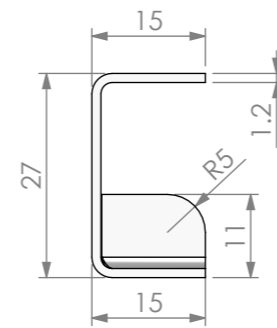


BLACK PLASTIC END CAP

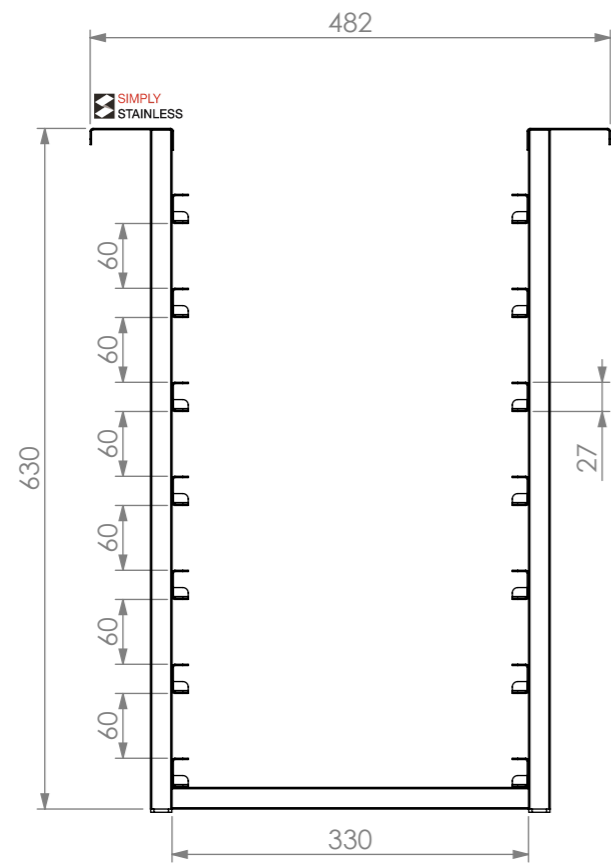
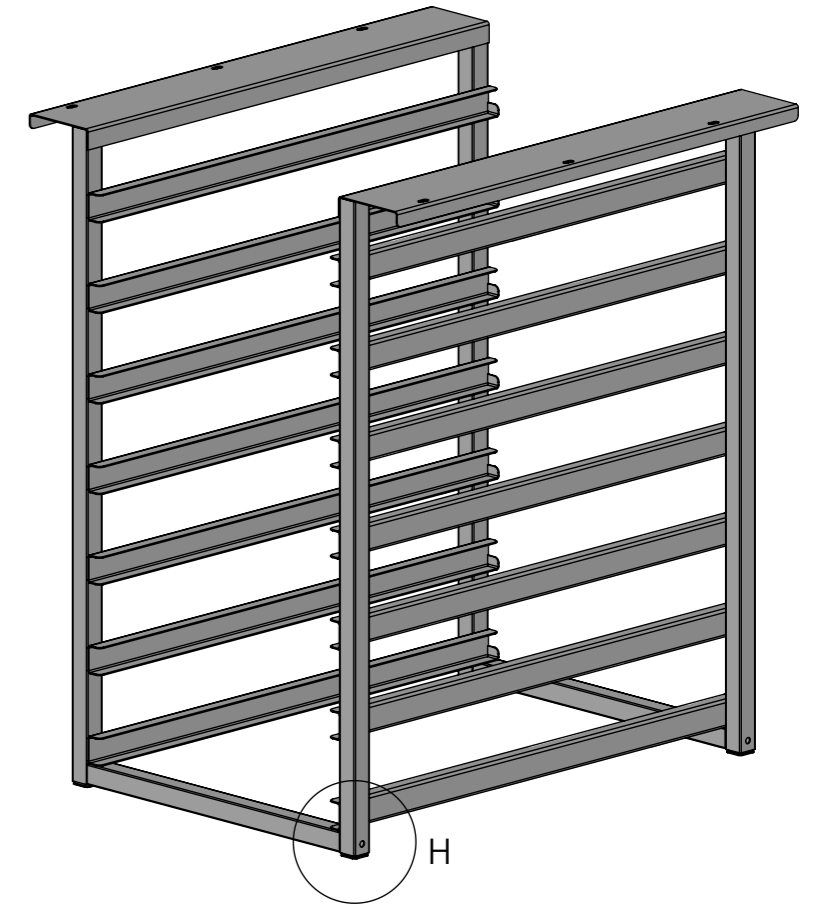
DETAIL H



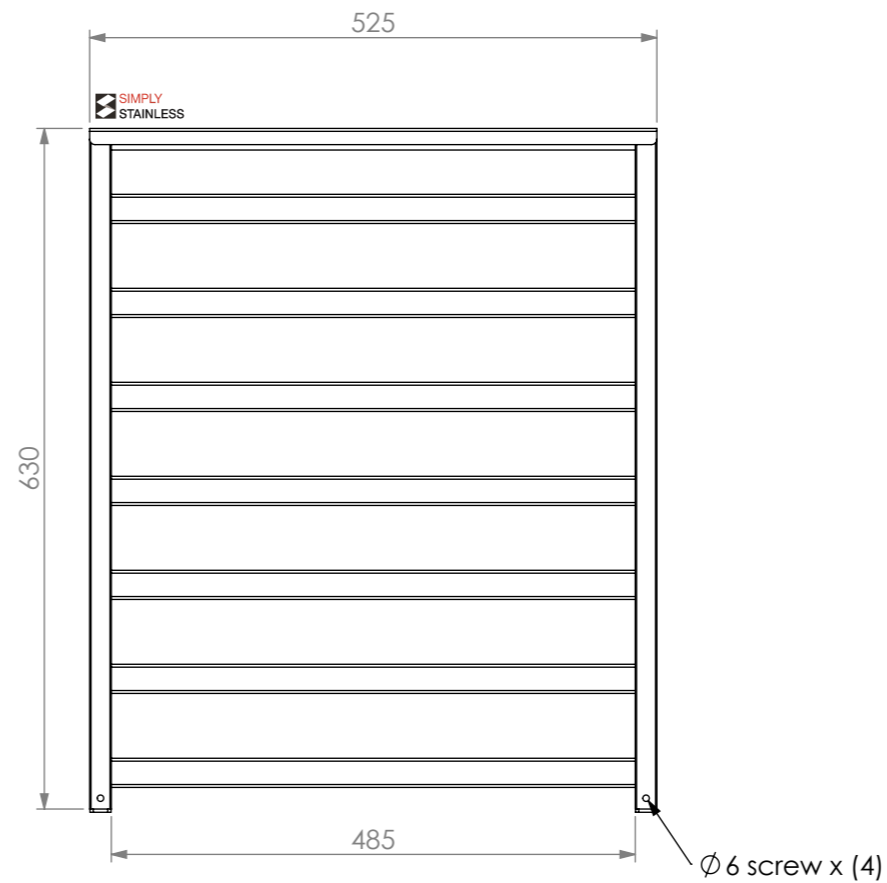
DETAIL A



RUNNER PROFILE



FRONT ELEVATION



SIDE ELEVATION

**SIMPLY STAINLESS**  
 Modular Sinks, Tables & Shelving  
 COPYRIGHT © 2022  
 This drawing is the property of CI GROUP PTY LTD. Tradings as SIMPLY STAINLESS and it may not be copied, reproduced or modified in whole or in part without prior written permission of CI GROUP PTY LTD. SIMPLY STAINLESS reserves the right to change specification and design without notice.

**35-GDC**  
**GASTRONORM DISH CASSETTE**

SIZE: A3

SCALE: 1:7

**CONSTRUCTION NOTES:**

1. RUNNER MADE FROM 1.2mm STAINLESS STEEL.
2. FRAME MADE FROM 20X20X1.2MM STAINLESS STEEL TUBE.

**35-GDC**