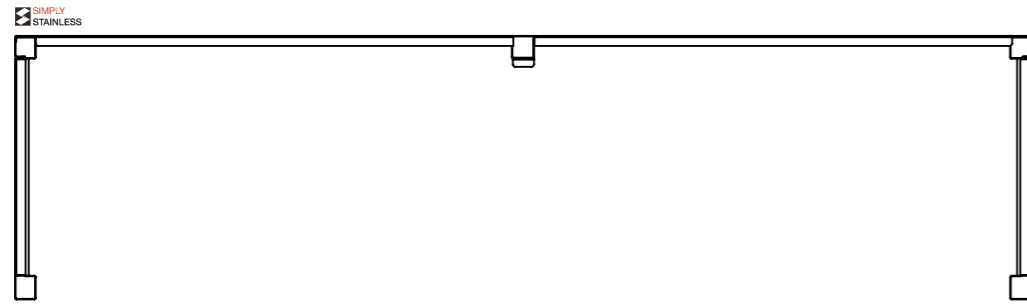
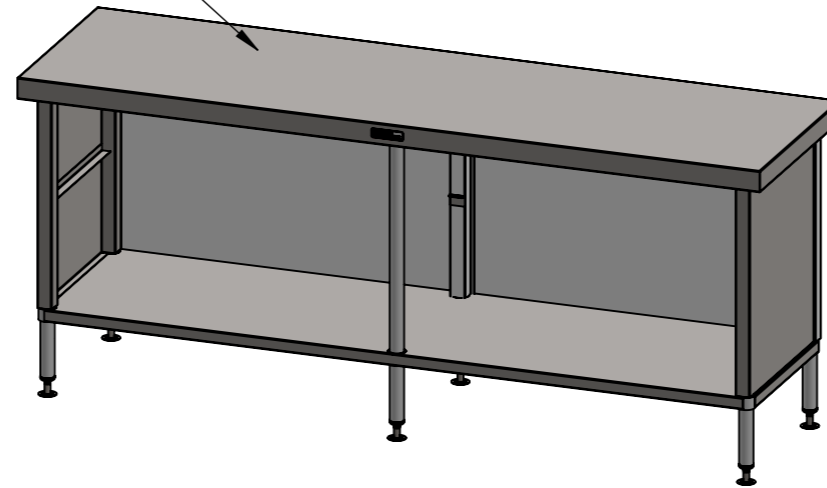
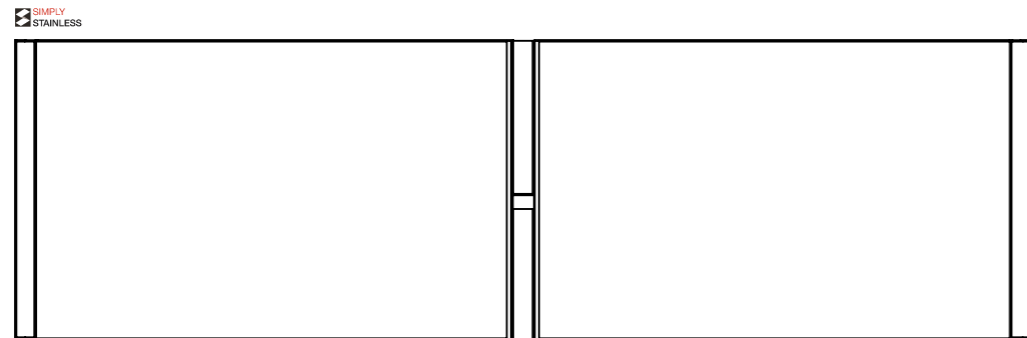


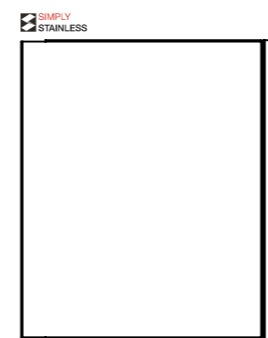
01-6-2100
(not included, illustration only)



PLAN



FRONT ELEVATION



SIDE ELEVATION

32-CCK-6-2100



www.simplystainless.com
Modular Sinks Tables and Shelving
COPYRIGHT © 2021

This drawing is the property of CI GROUP PTY LTD. Tradings as SIMPLY STAINLESS and It may not be copied, reproduced or modified in whole or in part without prior written permission of CI GROUP PTY LTD. SIMPLY STAINLESS reserves the right to change specification and design without notice.

**32-CCK-6-2100
COUNTER CONVERSION KIT**

SIZE: A3

SCALE : 1:15

CONSTRUCTION NOTES :

1. MADE FROM 1.2mm STAINLESS STEEL.
2. TO SUIT 01,02,03,05 & 06, 600 SERIES BENCHES.