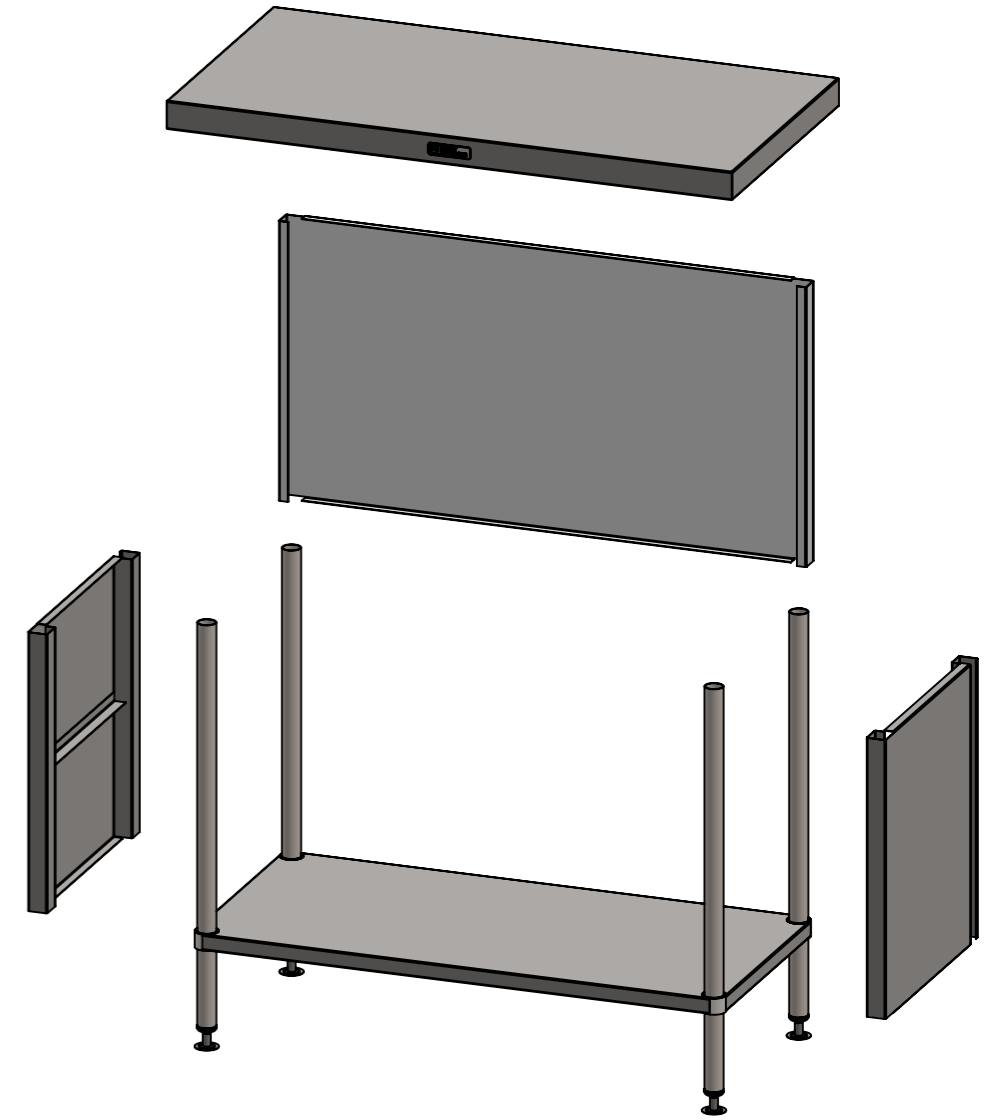
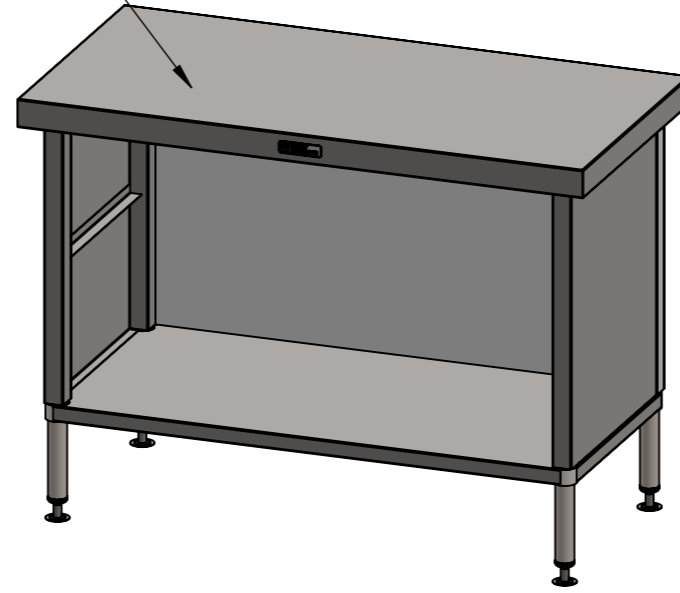


01-6-1200
(not included, illustration only)

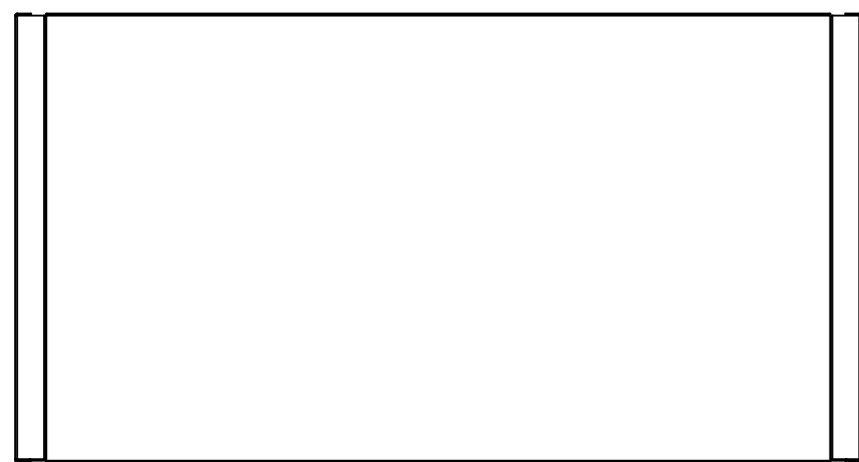
 SIMPLY
STAINLESS



PLAN

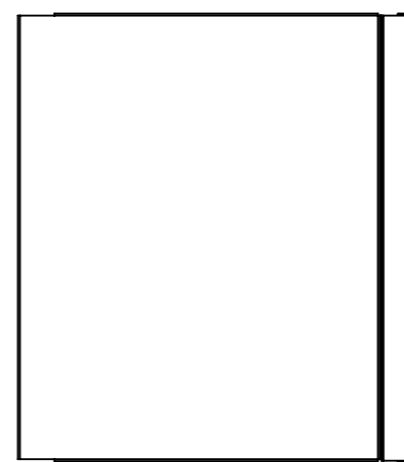


 SIMPLY
STAINLESS



FRONT ELEVATION

 SIMPLY
STAINLESS



SIDE ELEVATION

 **SIMPLY
STAINLESS**

Modular Sinks, Tables & Shelving
COPYRIGHT © 2022

This drawing is the property of CI GROUP PTY LTD.
Tradings as SIMPLY STAINLESS and it may not be
copied, reproduced or modified in whole or in part
without prior written permission of CI GROUP PTY
LTD. SIMPLY STAINLESS reserves the right to
change specification and design without notice.

**32-CCK-6-1200
COUNTER CONVERSION KIT**

SIZE: A3

SCALE : 1:10

CONSTRUCTION NOTES :

1. MADE FROM 1.2mm STAINLESS STEEL.
2. TO SUIT 01,02,03,05 & 06, 600 SERIES BENCHES

32-CCK-6-1200