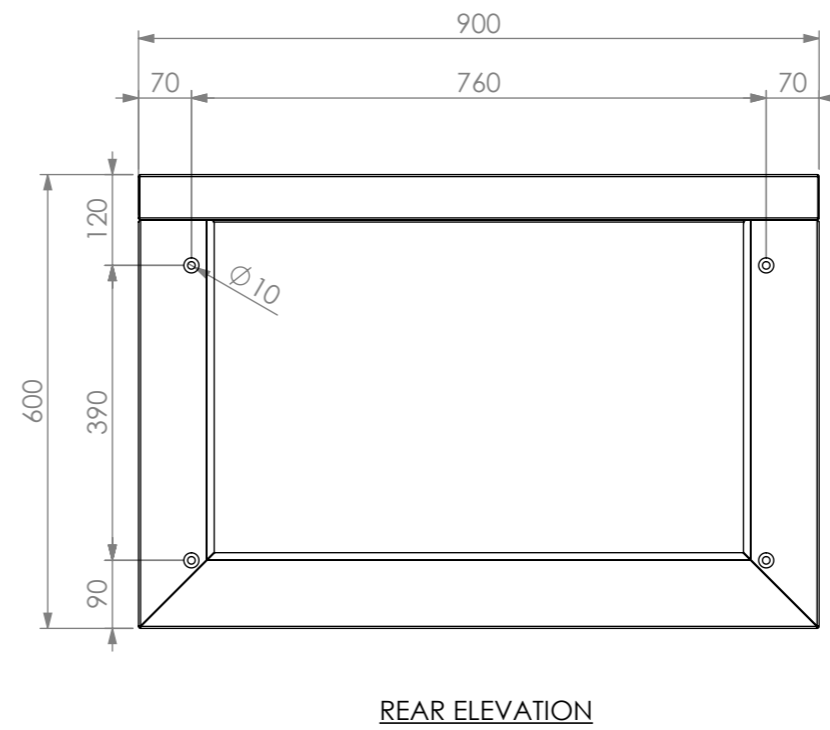


**29-WC-0900**



**SIMPLY STAINLESS**

Modular Sinks, Tables & Shelving  
COPYRIGHT © 2022

This drawing is the property of CI GROUP PTY LTD. Tradings as SIMPLY STAINLESS and it may not be copied, reproduced or modified in whole or in part without prior written permission of CI GROUP PTY LTD. SIMPLY STAINLESS reserves the right to change specification and design without notice.

**29-WC-0900**  
**WALL CUPBOARD**

SIZE: A3

SCALE : 1:15

**CONSTRUCTION NOTES :**

1. TOPS & SIDES MADE FROM 1mm STAINLESS STEEL.
2. MIDSHELF MADE FROM 1mm STAINLESS STEEL.