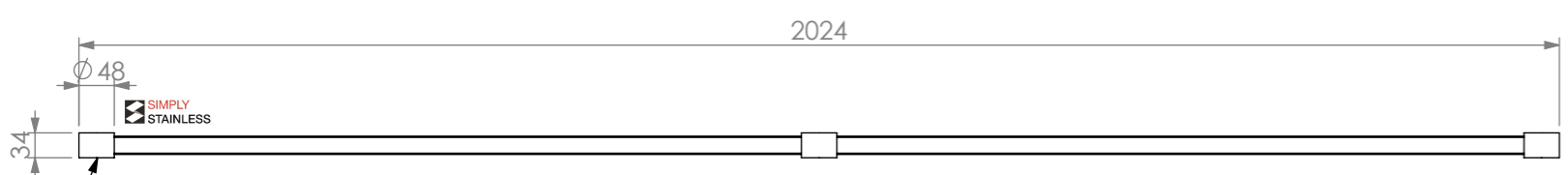
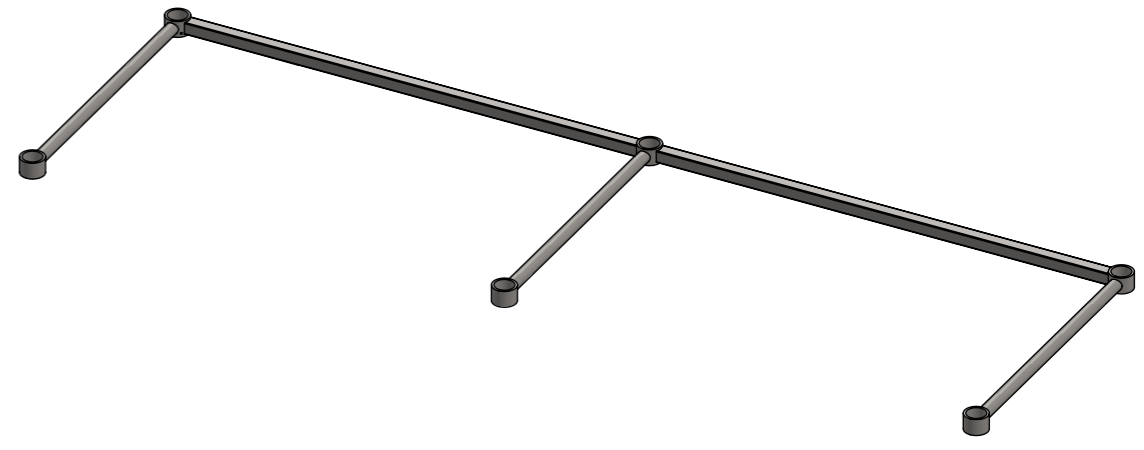
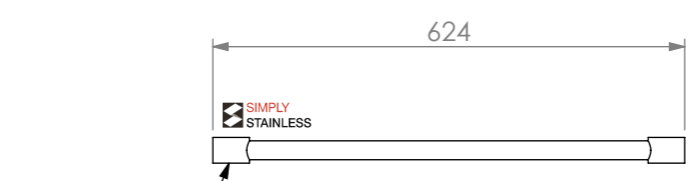


PLAN



FRONT ELEVATION



SIDE ELEVATION

STAINLESS STEEL
SOCKETS IN ALL
CENTER AND
CORNERS

STAINLESS STEEL
SOCKETS IN ALL
CENTER AND
CORNERS

22-LB-7-2100



Modular Sinks, Tables & Shelving
COPYRIGHT © 2022
This drawing is the property of CI GROUP PTY LTD.
Tradings as SIMPLY STAINLESS and it may not be
copied, reproduced or modified in whole or in part
without prior written permission of CI GROUP PTY
LTD. SIMPLY STAINLESS reserves the right to
change specification and design without notice.

**22-LB-7-2100
LEG BRACE**

SIZE: A3

SCALE : 1:10

CONSTRUCTION NOTES :

1. FRAME MADE FROM 25mm STAINLESS STEEL ROUND TUBE & SQUARE TUBE
2. CORNERS MADE FROM STAINLESS STEEL SOCKETS TO SUIT 38mm LEG.