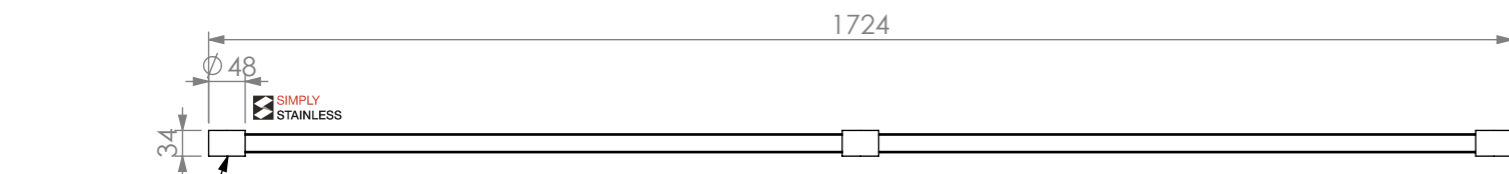
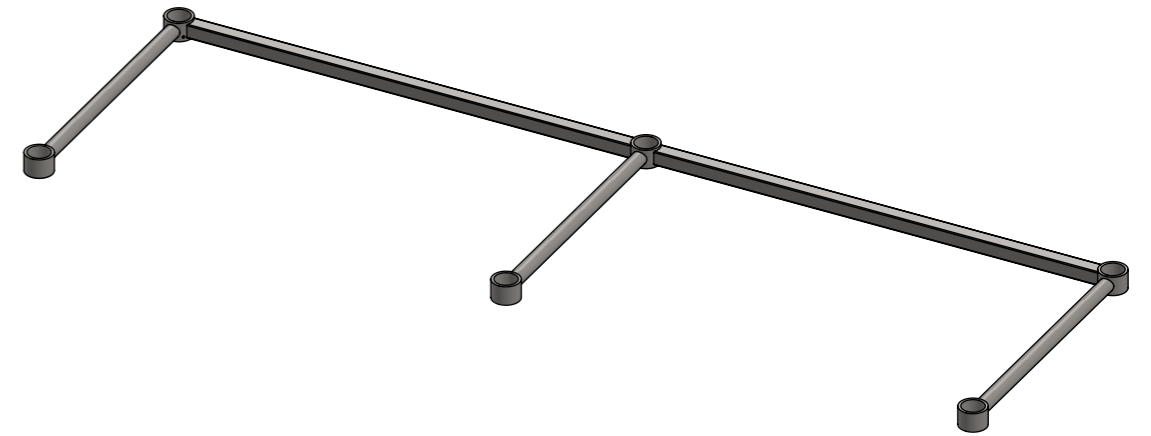
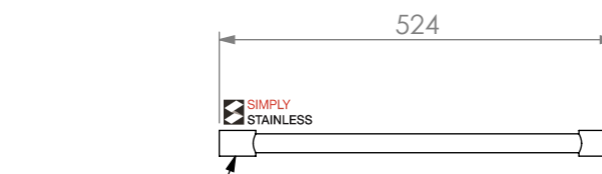


PLAN



STAINLESS STEEL  
SOCKETS IN ALL  
CENTER AND  
CORNERS

FRONT ELEVATION



STAINLESS STEEL  
SOCKETS IN ALL  
CENTER AND  
CORNERS

SIDE ELEVATION

**22-LB-7-1800**

**SIMPLY STAINLESS**  
 Modular Sinks, Tables & Shelving  
 COPYRIGHT © 2022  
 This drawing is the property of CI GROUP PTY LTD. Tradings as SIMPLY STAINLESS and it may not be copied, reproduced or modified in whole or in part without prior written permission of CI GROUP PTY LTD. SIMPLY STAINLESS reserves the right to change specification and design without notice.

**22-LB-7-1800  
 LEG BRACE**

SIZE: A3

SCALE : 1:10

CONSTRUCTION NOTES :

1. FRAME MADE FROM 25mm STAINLESS STEEL ROUND TUBE & SQUARE TUBE
2. CORNERS MADE FROM STAINLESS STEEL SOCKETS TO SUIT 38mm LEG.