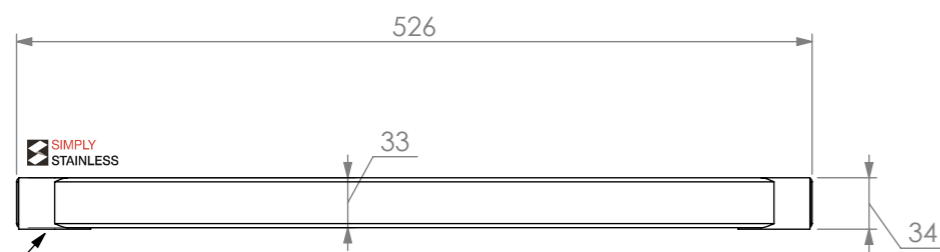
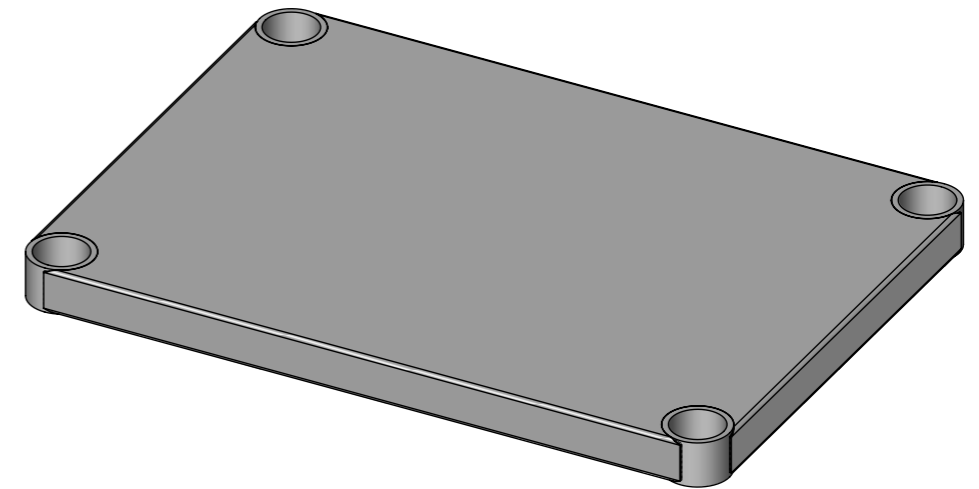
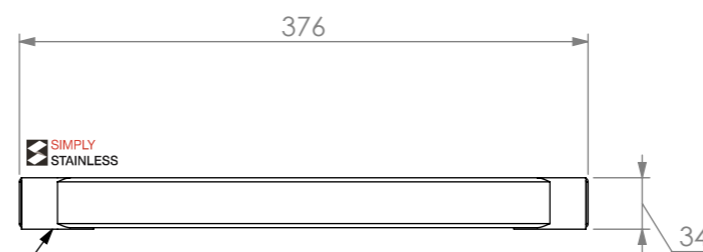


PLAN



STAINLESS STEEL
SOCKETS IN ALL
CORNERS

FRONT ELEVATION



STAINLESS STEEL
SOCKETS IN ALL
CORNERS

SIDE ELEVATION

21-US-6-0450

SIMPLY STAINLESS
Modular Sinks, Tables & Shelving
COPYRIGHT © 2022
This drawing is the property of CI GROUP PTY LTD. Tradings as SIMPLY STAINLESS and it may not be copied, reproduced or modified in whole or in part without prior written permission of CI GROUP PTY LTD. SIMPLY STAINLESS reserves the right to change specification and design without notice.

**21-US-6-0450
UNDER SHELF**

SIZE: A3

SCALE : 1:5

CONSTRUCTION NOTES :

1. TOPS MADE FROM 1.2mm STAINLESS STEEL WITH STAINLESS STEEL SOCKETS AT CORNERS.