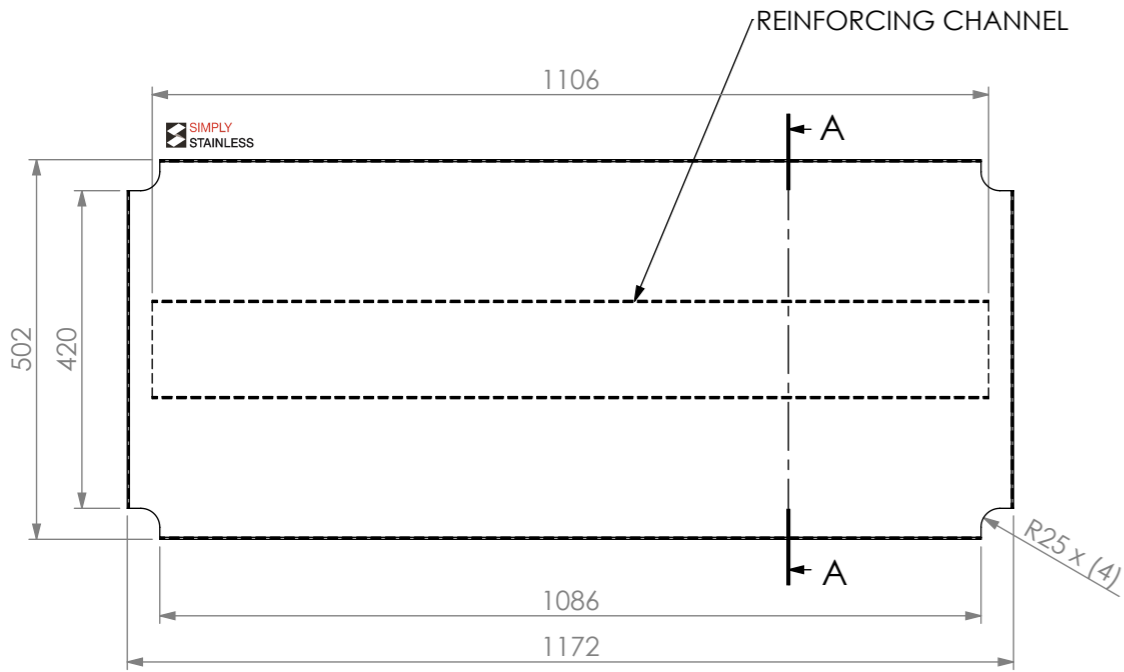
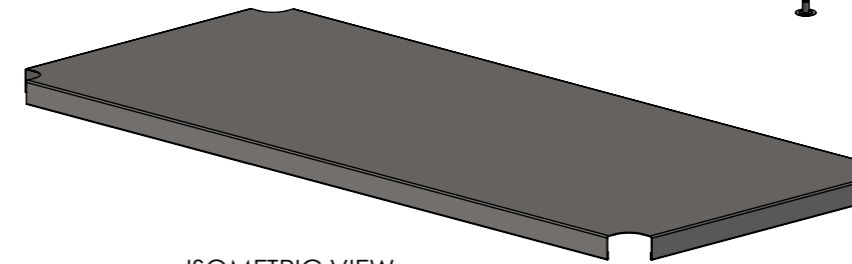
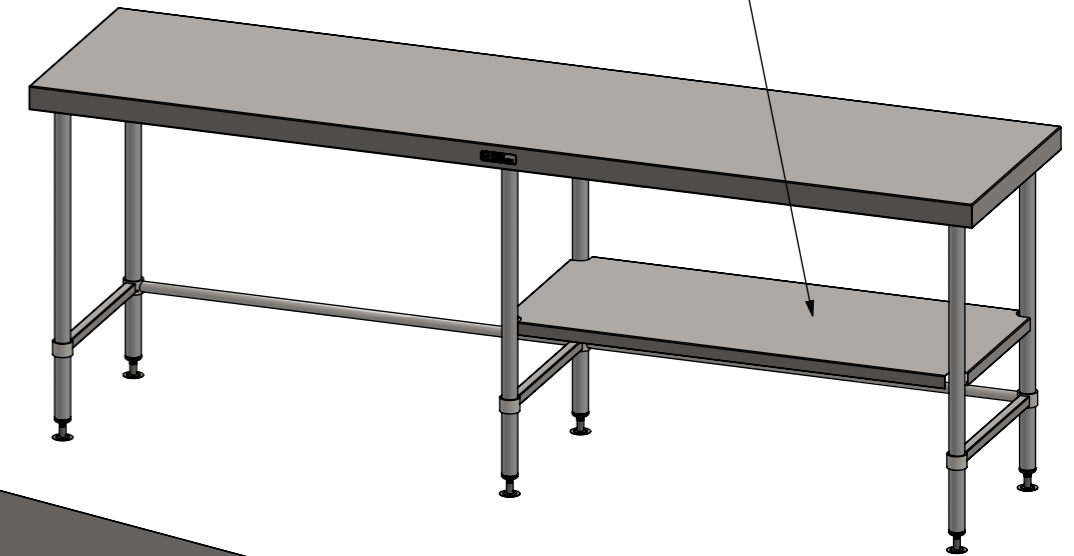
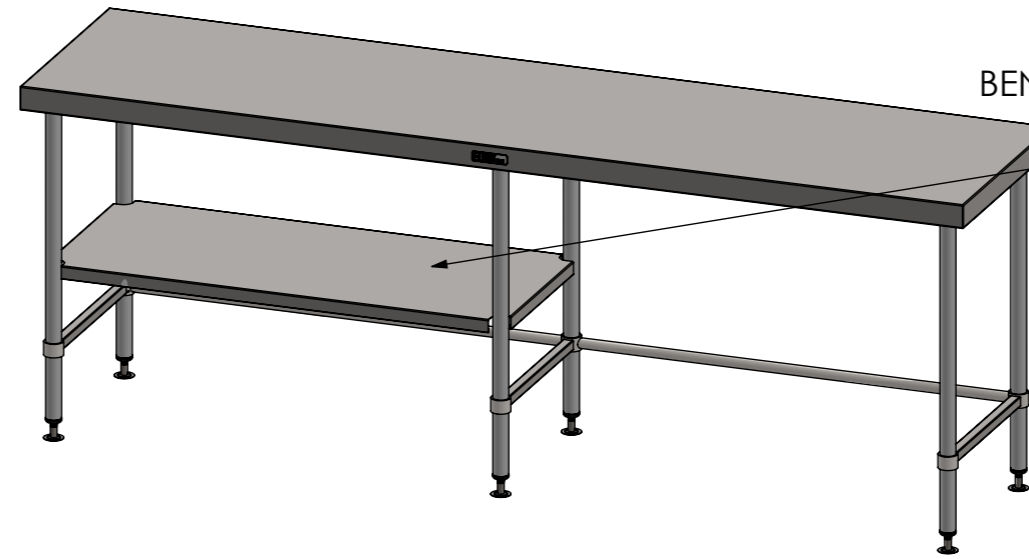
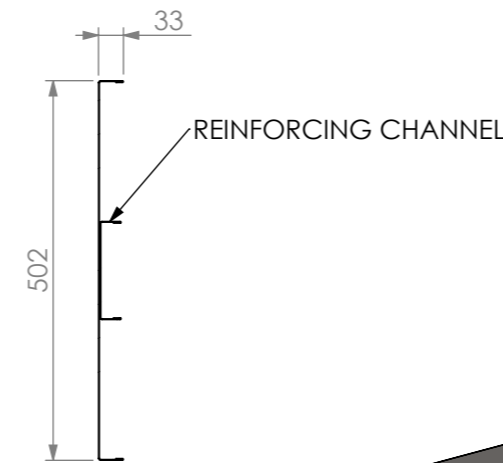


UNDERSHELF ASSEMBLY DETAILS.
BENCH NOT INCLUDED. (CAN FIT LEFT OR RIGHT SIDE)

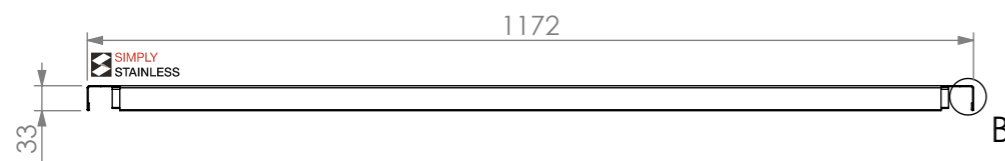


PLAN

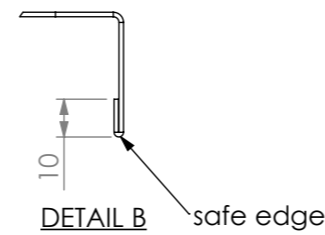


SECTION A-A

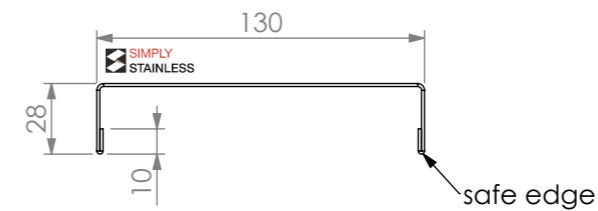
ISOMETRIC VIEW



FRONT VIEW



DETAIL B safe edge



REINFORCING CHANNEL DETAILS

SIMPLY STAINLESS
Modular Sinks, Tables & Shelving
COPYRIGHT © 2022
This drawing is the property of CI GROUP PTY LTD. Tradings as SIMPLY STAINLESS and it may not be copied, reproduced or modified in whole or in part without prior written permission of CI GROUP PTY LTD. SIMPLY STAINLESS reserves the right to change specification and design without notice.

**21-LBUS-6-2400
LEG BRACE UNDERSHELF**

SIZE: A3

SCALE: 1:10

CONSTRUCTION NOTES:

1. SHELF MADE FROM 1.2mm STAINLESS STEEL.

**21-LBUS-6-2400
TO SUIT 1 SIDE OF 2400 LEG BRACE 600 SERIES**