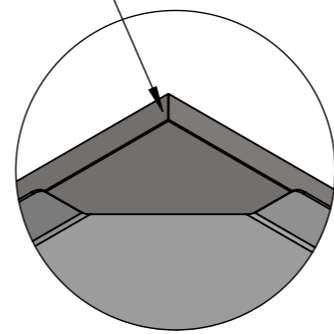


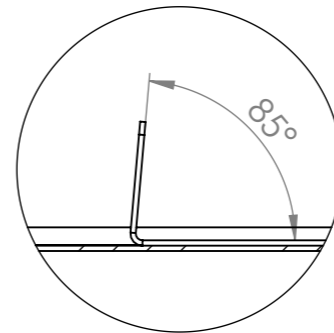
(not included illustration only)

05-7-0600

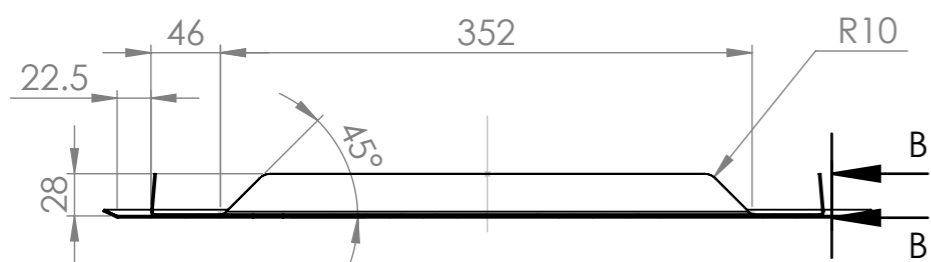
8mm RADIUS ON ALL CORNERS



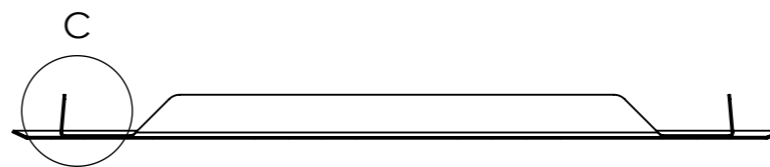
DETAIL D



DETAIL C



SECTION A-A



SECTION B-B



Modular Sinks, Tables & Shelving
COPYRIGHT © 2022

This drawing is the property of CI GROUP PTY LTD. Tradings as SIMPLY STAINLESS and It may not be copied, reproduced or modified in whole or in part without prior written permission of CI GROUP PTY LTD. SIMPLY STAINLESS reserves the right to change specification and design without notice.

**20-SBC
SINK BOWL COVER**

SIZE: A3

SCALE: 1:5

CONSTRUCTION NOTES :

1. MADE FROM 1.2mm STAINLESS STEEL.
2. NO. 4 FINNISH.