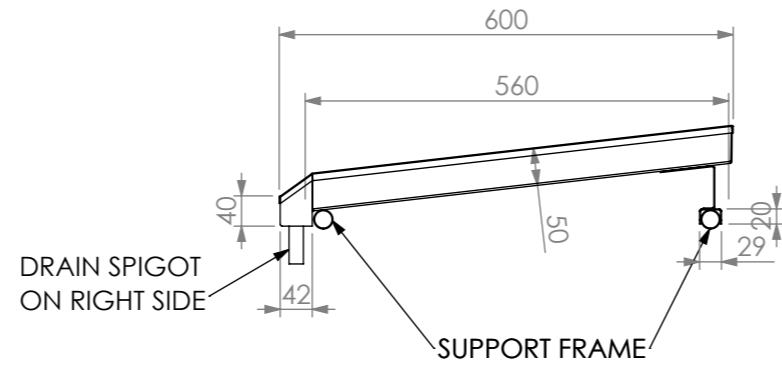
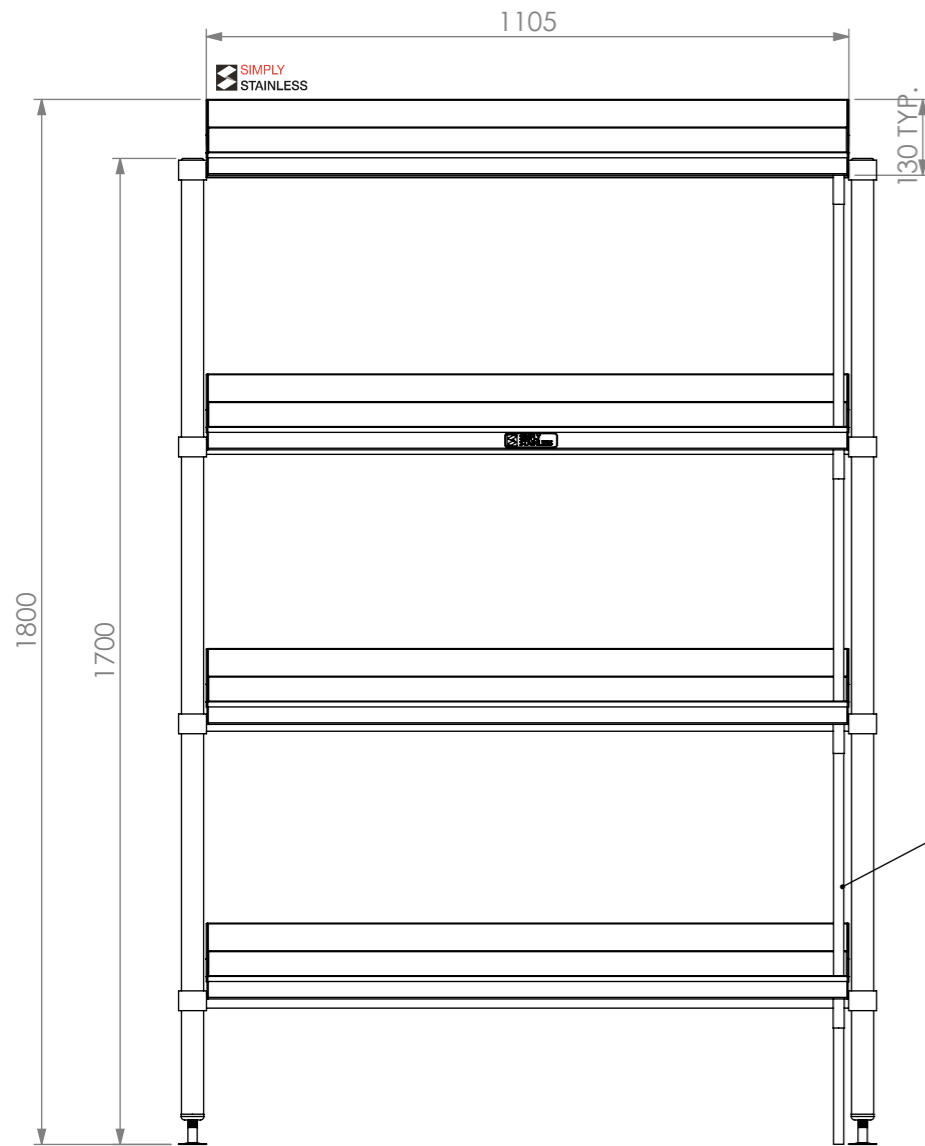
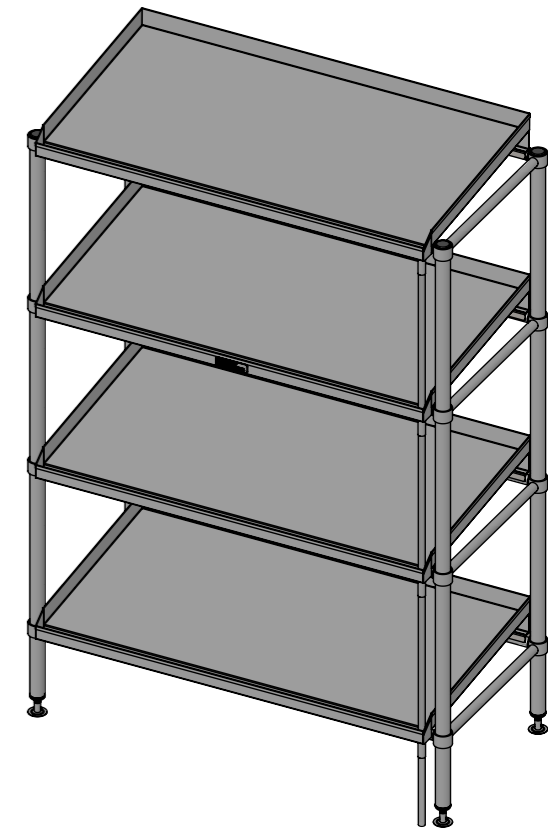
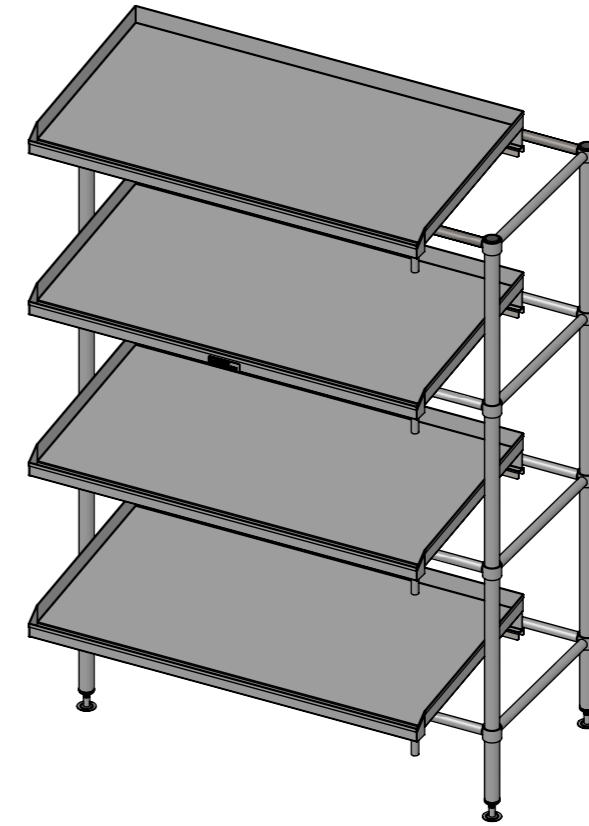


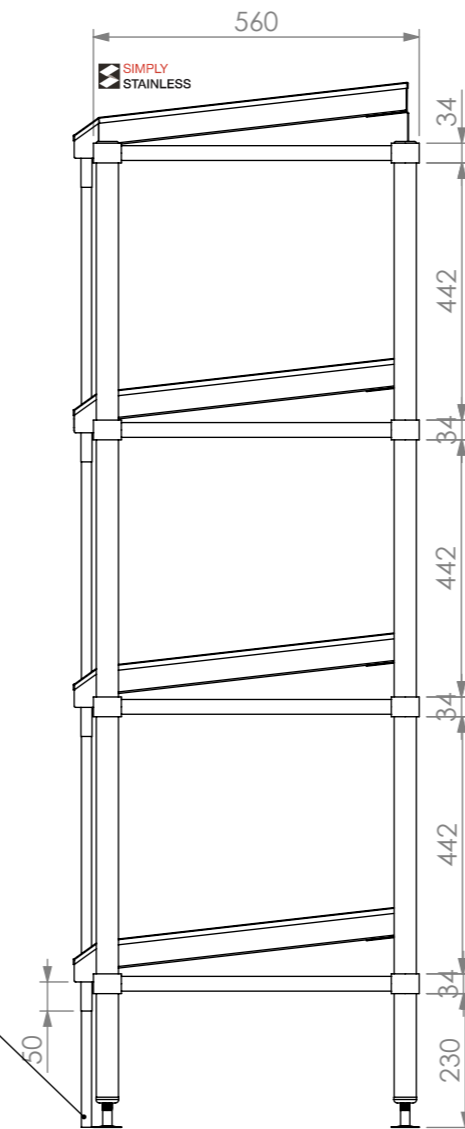
PLAN



SHELF DETAIL



FRONT VIEW



SIDE VIEW

CLEAR PLASTIC HOSE

CUT TO SIZE ON SITE.
DRAIN TO BUCKET OR
TUNDISH

17-DF-1200

SIMPLY STAINLESS

Modular Sinks, Tables & Shelving

COPYRIGHT © 2022

This drawing is the property of CI GROUP PTY LTD. Tradings as SIMPLY STAINLESS and it may not be copied, reproduced or modified in whole or in part without prior written permission of CI GROUP PTY LTD. SIMPLY STAINLESS reserves the right to change specification and design without notice.

**17-DF-1200
DEFROST SHELF**

SIZE: A3

SCALE : 1:10

CONSTRUCTION NOTES :

1. TOPS MADE FROM 1.2mm STAINLESS STEEL.
2. ANGLED SUPPORT BRACKET MADE FROM 1.2mm STAINLESS STEEL.
3. LEG MADE FROM Ø38mm STAINLESS STEEL TUBE.
4. FEET ARE ADJUSTABLE STAINLESS STEEL DISC SHAPED FEET.
5. CLEAR PLASTIC HOSE x4 ARE INCLUDED.