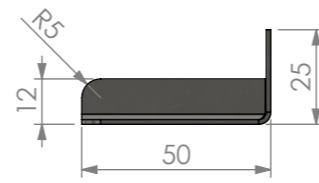
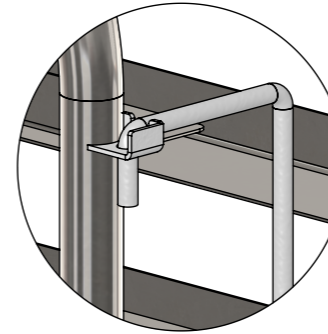


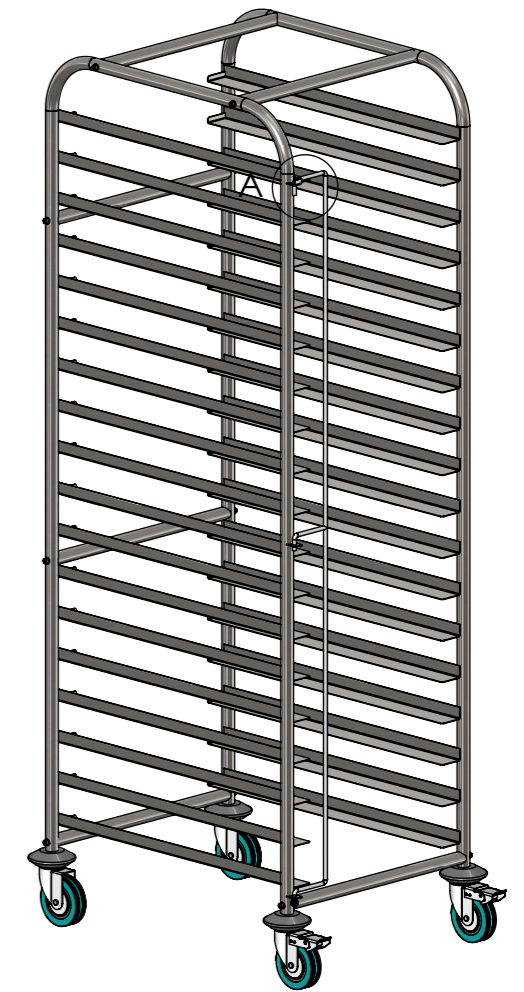
PLAN



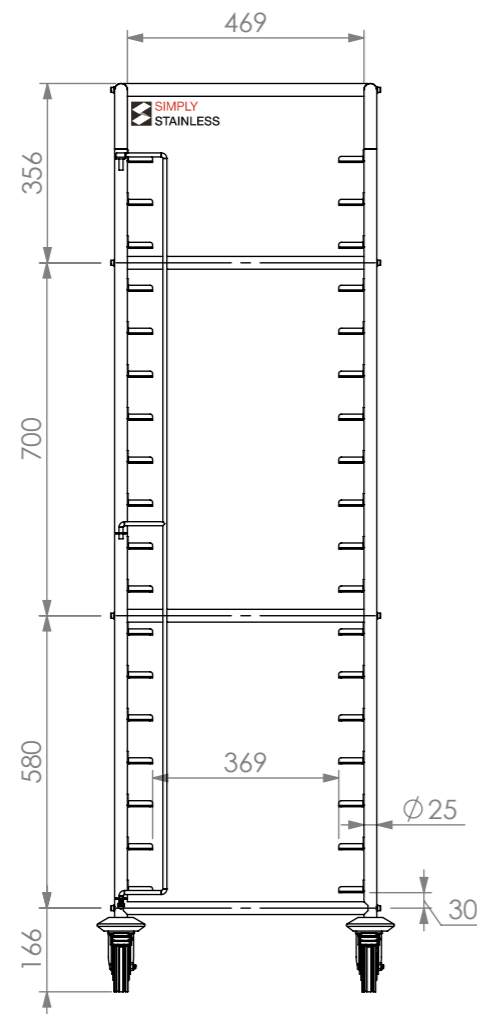
RUNNERS PROFILE



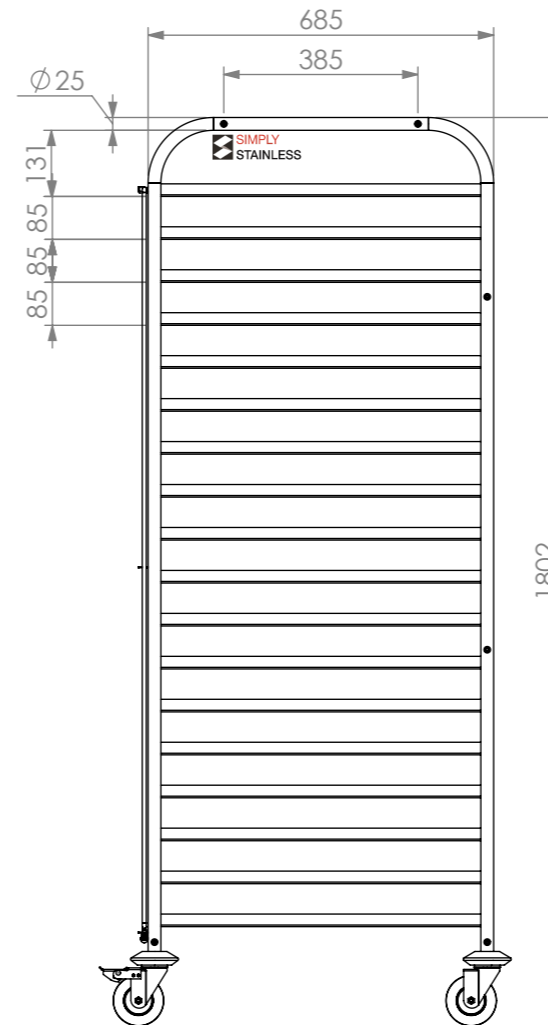
DETAIL A



ISOMETRIC VIEW



FRONT VIEW



SIDE VIEW

16 - BTI



Modular Sinks, Tables & Shelving

COPYRIGHT © 2022

This drawing is the property of CI GROUP PTY LTD. Tradings as SIMPLY STAINLESS and it may not be copied, reproduced or modified in whole or in part without prior written permission of CI GROUP PTY LTD. SIMPLY STAINLESS reserves the right to change specification and design without notice.

**16- BTI  
BAKERY TROLLEY IMPERIAL**

SIZE: A3

SCALE : 1:15

CONSTRUCTION NOTES :

1. RUNNERS MADE FROM 1.2mm STAINLESS STEEL.
2. FRAME MADE FROM Ø25mm STAINLESS STEEL TUBE.
3. FEET ARE Ø100mm SWIVEL CASTORS, 2x LOCKING AND 2x NON-LOCKING.