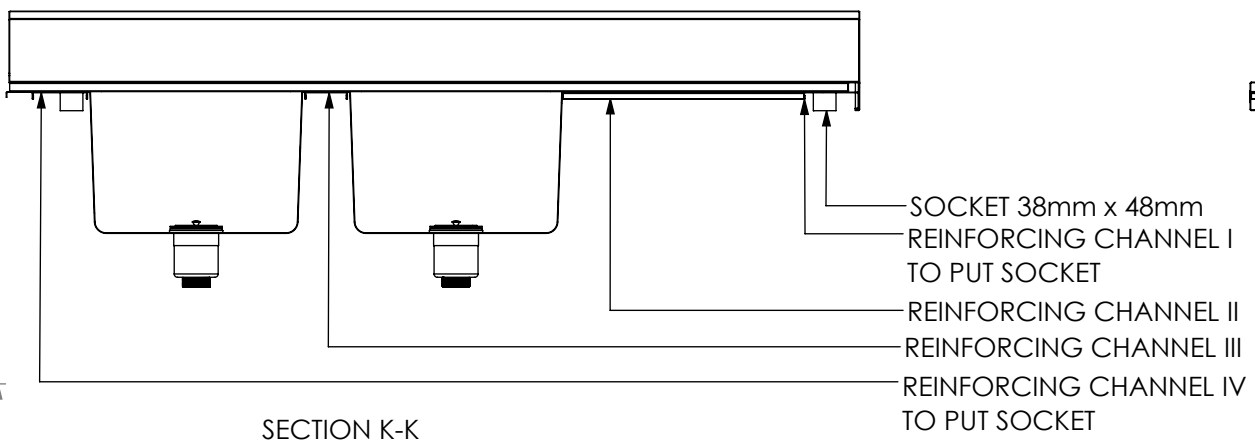
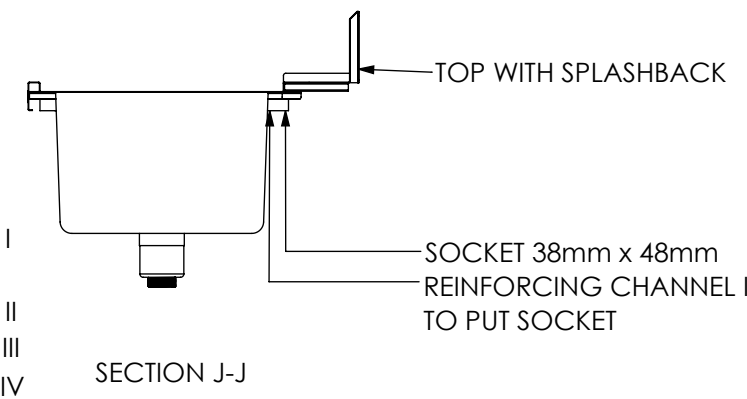


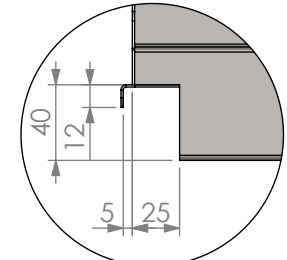
PLAN



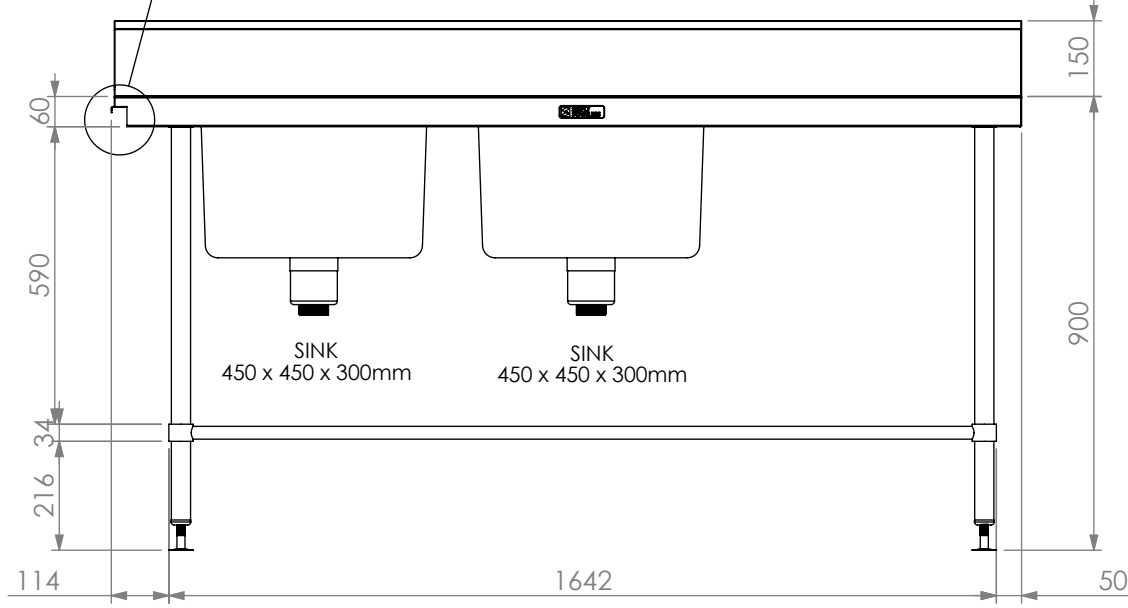
SECTION K-K



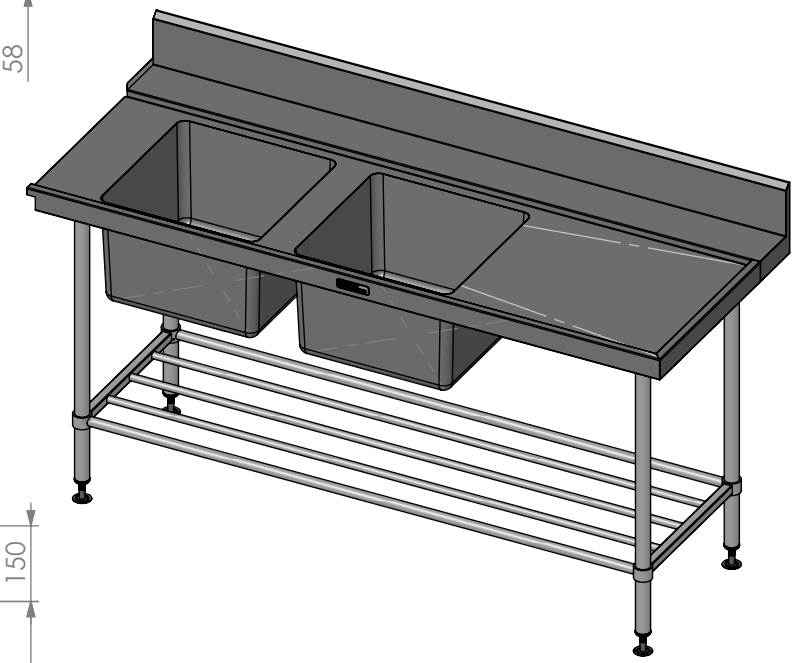
SECTION J-J



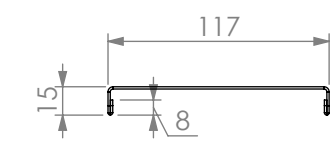
NOTCH DETAIL



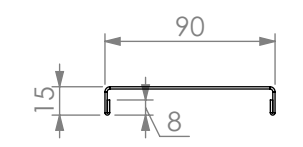
FRONT ELEVATION



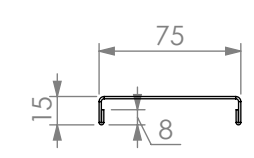
09-7-1800-DB-R



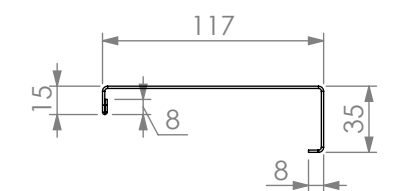
REINFORCING CHANNEL I DETAIL



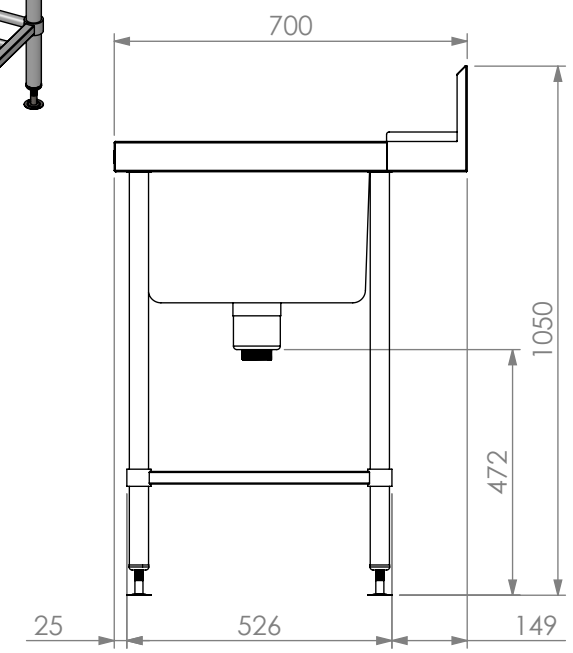
REINFORCING CHANNEL II DETAIL



REINFORCING CHANNEL III DETAIL



REINFORCING CHANNEL IV DETAIL



SIDE ELEVATION

SIMPLY STAINLESS
 Modular Sinks, Tables & Shelving
 COPYRIGHT © 2022
 This drawing is the property of CI GROUP PTY LTD. Tradings as SIMPLY STAINLESS and it may not be copied, reproduced or modified in whole or in part without prior written permission of CI GROUP PTY LTD. SIMPLY STAINLESS reserves the right to change specification and design without notice.

09-7-1800-DB-R
DOUBLE BOWL DISHWASH INLET
 SIZE: A3 SCALE: 1:15

- CONSTRUCTION NOTES :
1. TOPS MADE FROM 304 GRADE 1.2mm STAINLESS STEEL.
 2. REINFORCING CHANNELS MADE FROM 1.2mm STAINLESS STEEL.
 3. SINKS MADE FROM 1.2mm STAINLESS STEEL.
 4. FRAME MADE FROM Ø38mm STAINLESS STEEL TUBE.
 5. POTRAIL MADE FROM STAINLESS STEEL ROUND TUBE & SQUARE TUBE.
 6. FEET ARE ADJUSTABLE STAINLESS STEEL DISC SHAPED FEET.
 7. WATERCORP & WATERMARK APPROVED SINK WASTE INCLUDED.