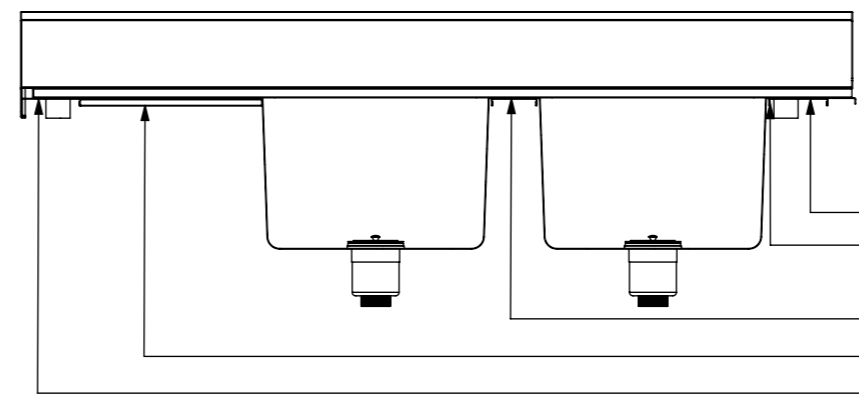
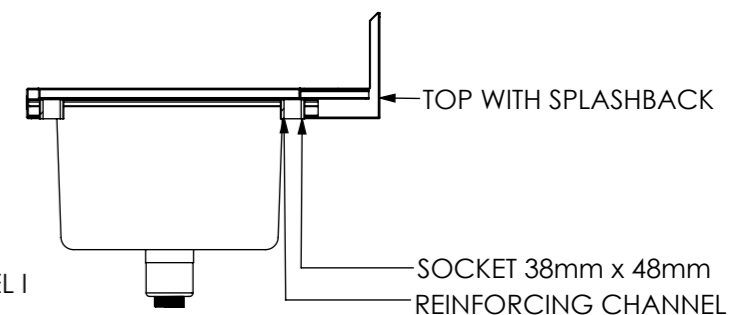


PLAN



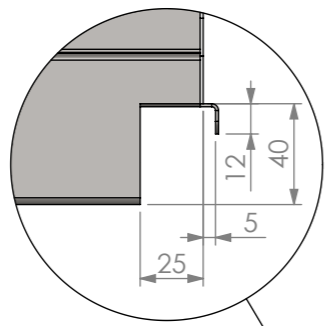
SECTION K-K



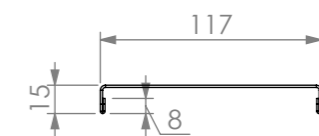
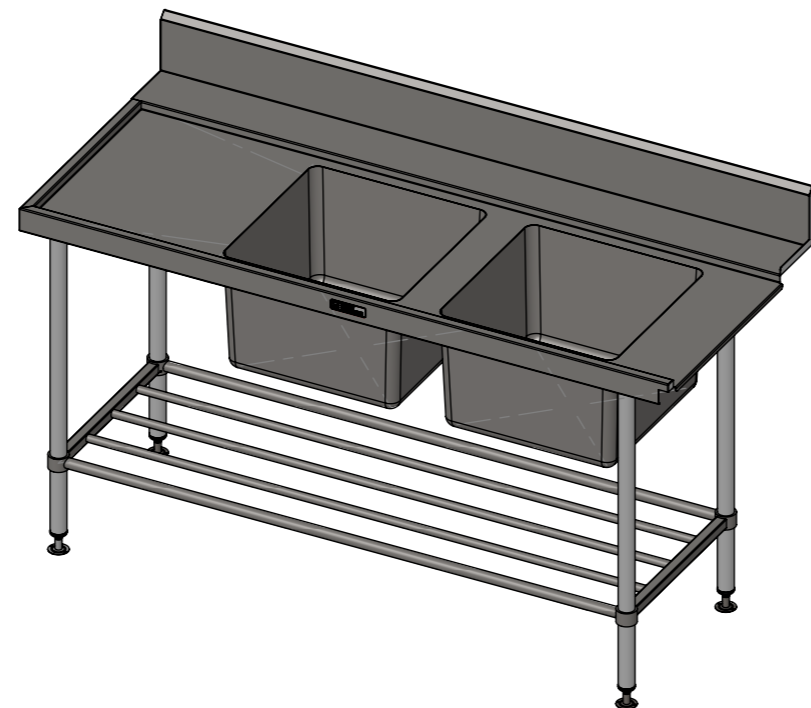
SECTION J-J

SOCKET 38mm x 48mm
 REINFORCING CHANNEL I
 TO PUT SOCKET
 REINFORCING CHANNEL II
 REINFORCING CHANNEL III
 REINFORCING CHANNEL IV
 TO PUT SOCKET

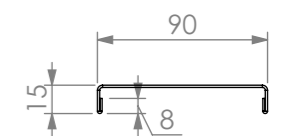
TOP WITH SPLASHBACK
 SOCKET 38mm x 48mm
 REINFORCING CHANNEL I
 TO PUT SOCKET



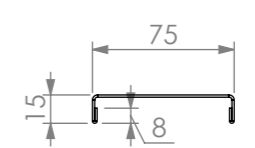
NOTCH DETAIL



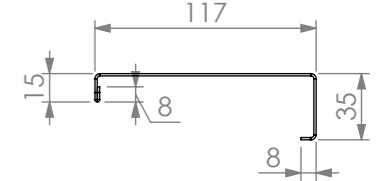
REINFORCING CHANNEL I
 DETAIL



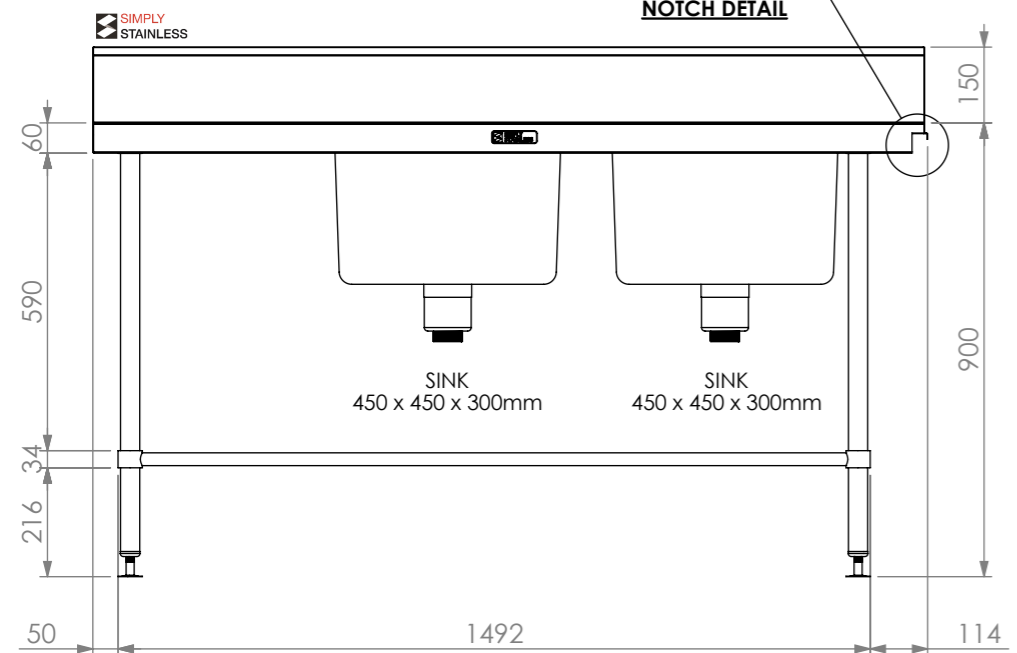
REINFORCING CHANNEL II
 DETAIL



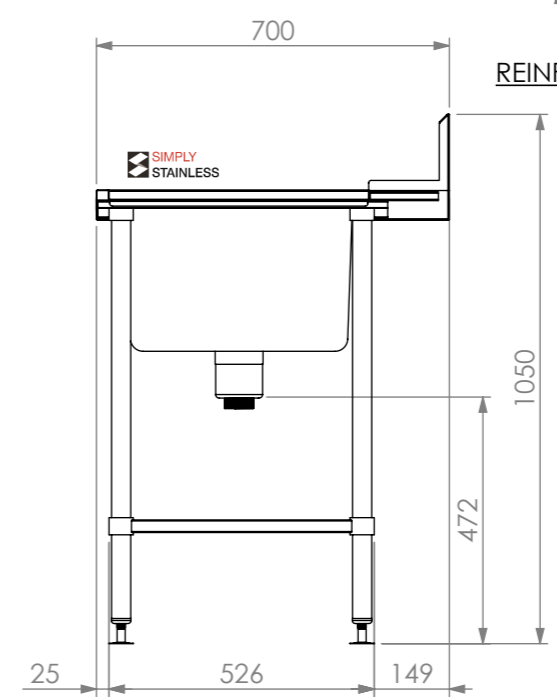
REINFORCING CHANNEL III
 DETAIL



REINFORCING CHANNEL IV
 DETAIL



FRONT ELEVATION



SIDE ELEVATION

SIMPLY STAINLESS
 Modular Sinks, Tables & Shelving
 COPYRIGHT © 2022
 This drawing is the property of CI GROUP PTY LTD. Tradings as SIMPLY STAINLESS and it may not be copied, reproduced or modified in whole or in part without prior written permission of CI GROUP PTY LTD. SIMPLY STAINLESS reserves the right to change specification and design without notice.

09-7-1650-DB-L
DOUBLE BOWL DISHWASH INLET

SIZE: A3 SCALE: 1:15

- CONSTRUCTION NOTES :
1. TOPS MADE FROM 304 GRADE 1.2mm STAINLESS STEEL.
 2. REINFORCING CHANNELS MADE FROM 1.2mm STAINLESS STEEL.
 3. SINKS MADE FROM 1.2mm STAINLESS STEEL.
 4. FRAME MADE FROM Ø38mm STAINLESS STEEL TUBE.
 5. POTRAIL MADE FROM STAINLESS STEEL ROUND TUBE & SQUARE TUBE.
 6. FEET ARE ADJUSTABLE STAINLESS STEEL DISC SHAPED FEET.
 7. WATERCORP & WATERMARK APPROVED SINK WASTE INCLUDED.

09-7-1650-DB-L