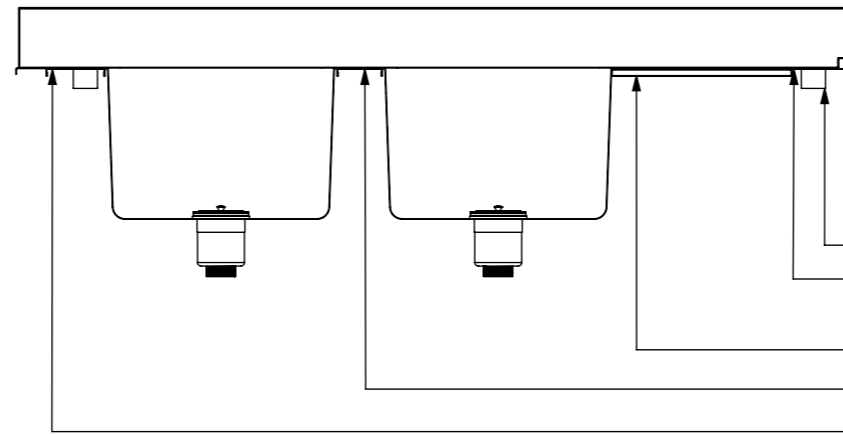
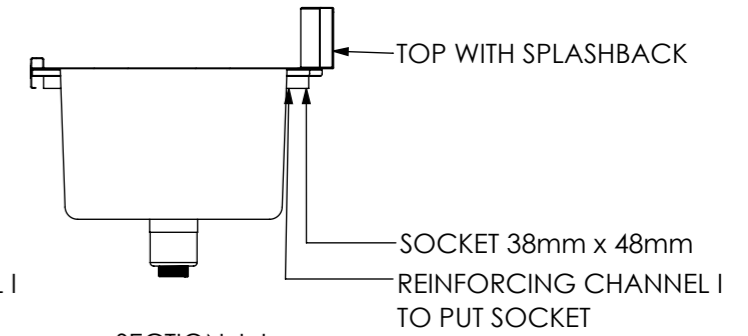


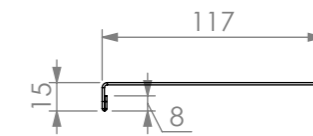
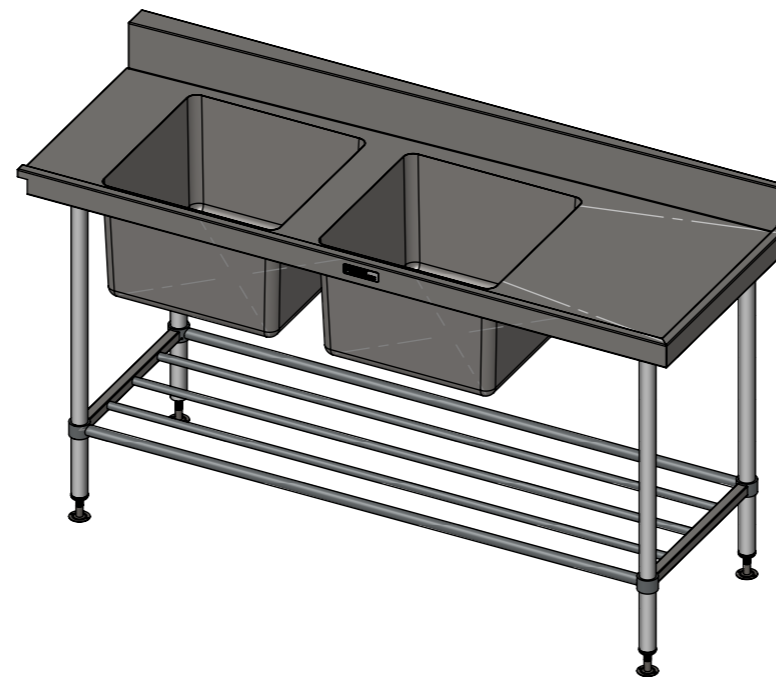
PLAN



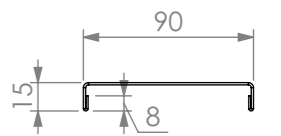
SECTION K-K



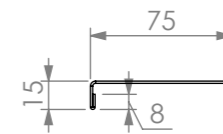
SECTION J-J



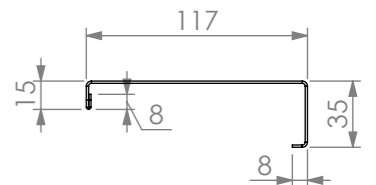
REINFORCING CHANNEL I DETAIL



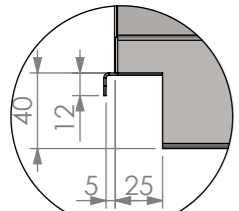
REINFORCING CHANNEL II DETAIL



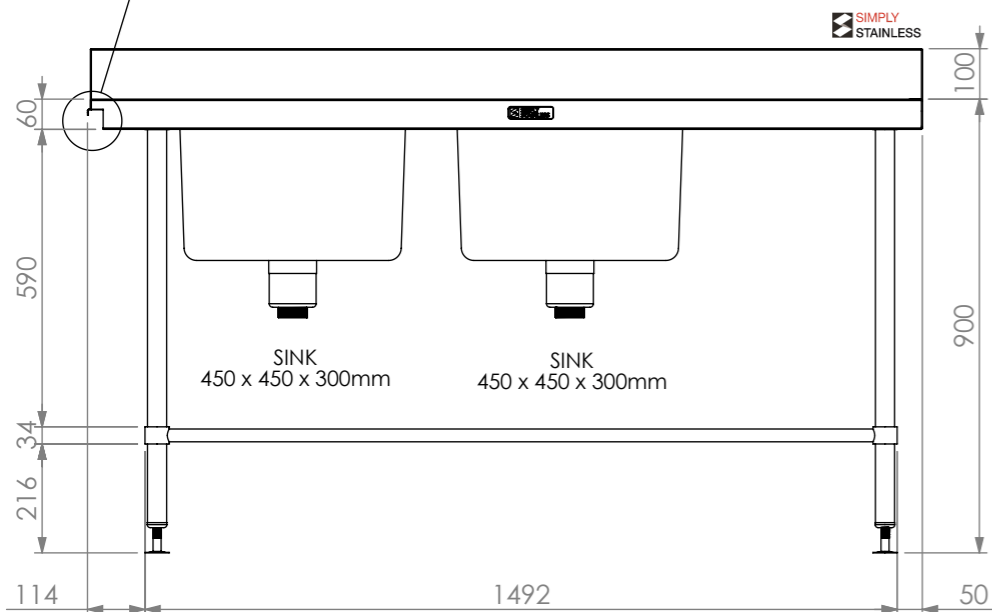
REINFORCING CHANNEL III DETAIL



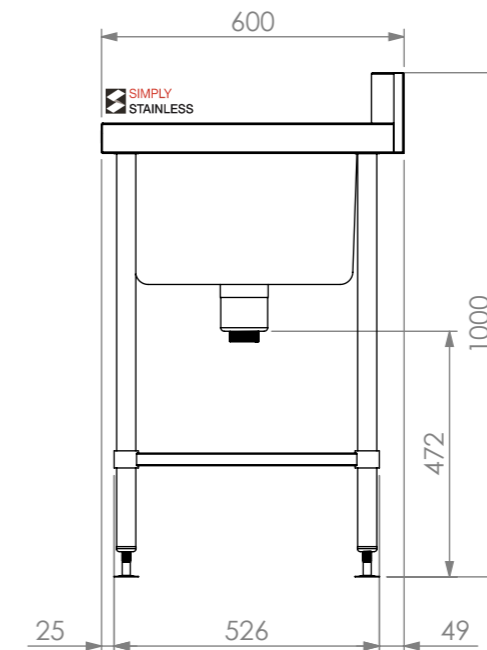
REINFORCING CHANNEL IV DETAIL



NOTCH DETAIL



FRONT ELEVATION



SIDE ELEVATION



Modular Sinks, Tables & Shelving

COPYRIGHT © 2022

This drawing is the property of CI GROUP PTY LTD. Tradings as SIMPLY STAINLESS and It may not be copied, reproduced or modified in whole or in part without prior written permission of CI GROUP PTY LTD. SIMPLY STAINLESS reserves the right to change specification and design without notice.

09-6-1650-DB-R
DOUBLE BOWL DISHWASH INLET

SIZE: A3

SCALE: 1:15

CONSTRUCTION NOTES :

1. TOPS MADE FROM 304 GRADE 1.2mm STAINLESS STEEL.
2. REINFORCING CHANNELS MADE FROM 1.2mm STAINLESS STEEL.
3. SINKS MADE FROM 1.2mm STAINLESS STEEL.
4. FRAME MADE FROM Ø38mm STAINLESS STEEL TUBE.
5. POTRAIL MADE FROM STAINLESS STEEL ROUND TUBE & SQUARE TUBE.
6. FEET ARE ADJUSTABLE STAINLESS STEEL DISC SHAPED FEET.
7. WATERCORP & WATERMARK APPROVED SINK WASTE INCLUDED.

09-6-1650-DB-R