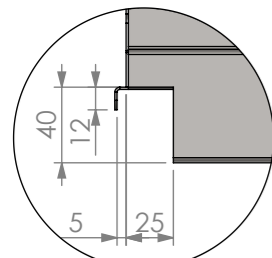
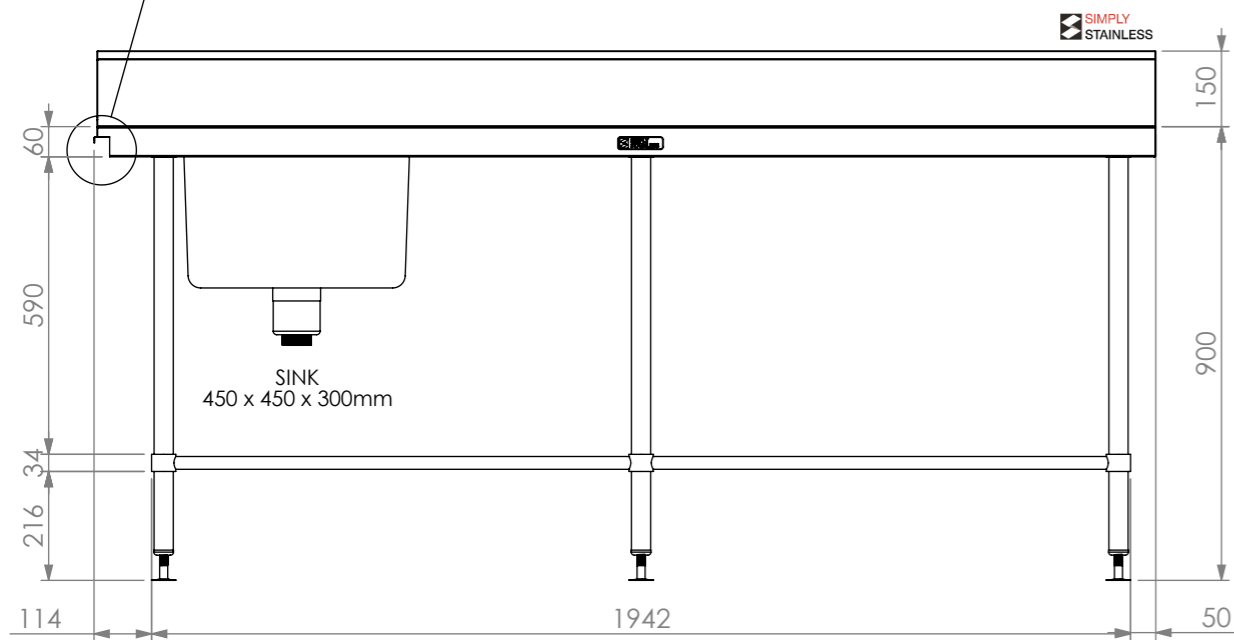


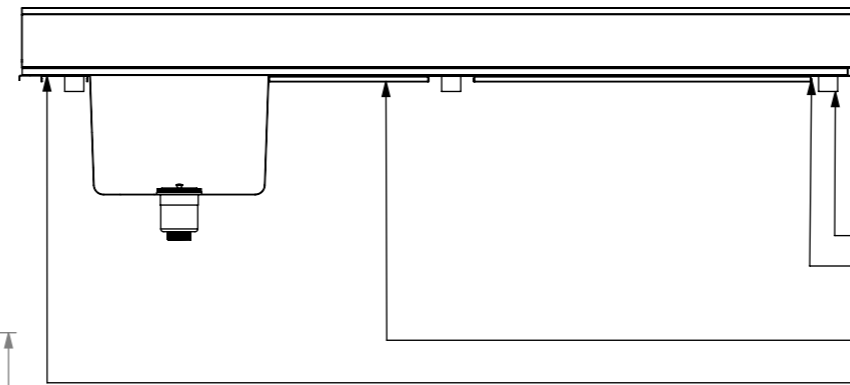
PLAN



NOTCH DETAIL

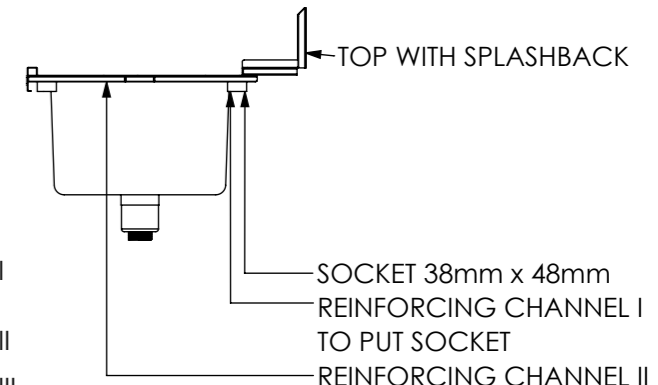


FRONT ELEVATION



SECTION K-K

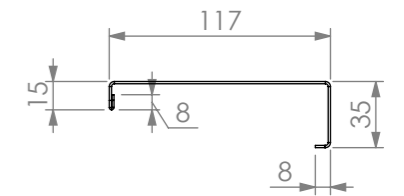
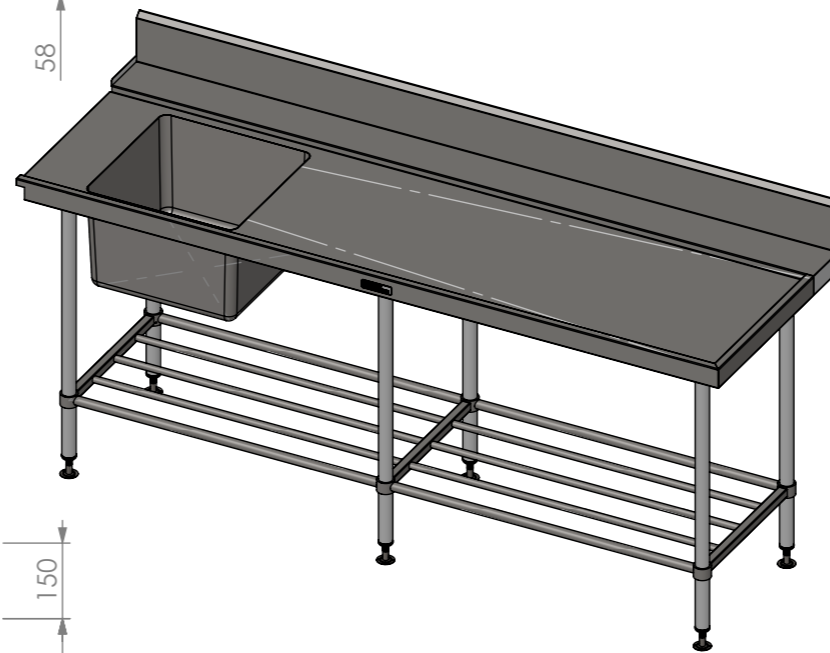
SOCKET 38mm x 48mm  
 REINFORCING CHANNEL I  
 TO PUT SOCKET  
 REINFORCING CHANNEL II  
 REINFORCING CHANNEL III  
 TO PUT SOCKET



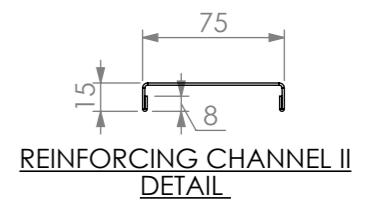
SECTION J-J

TOP WITH SPLASHBACK

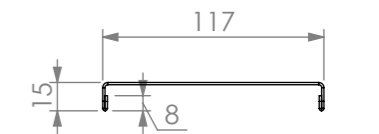
SOCKET 38mm x 48mm  
 REINFORCING CHANNEL I  
 TO PUT SOCKET  
 REINFORCING CHANNEL II



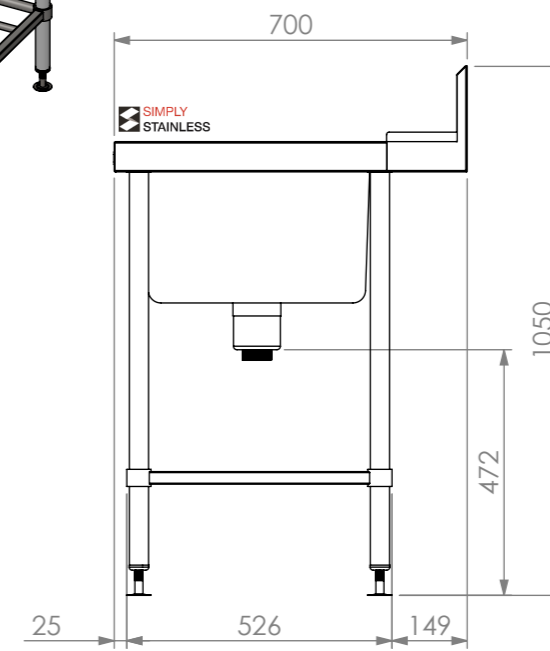
REINFORCING CHANNEL I  
 DETAIL



REINFORCING CHANNEL II  
 DETAIL



REINFORCING CHANNEL III  
 DETAIL



SIDE ELEVATION



Modular Sinks, Tables & Shelving  
 COPYRIGHT © 2022

This drawing is the property of CI GROUP PTY LTD. Tradings as SIMPLY STAINLESS and It may not be copied, reproduced or modified in whole or in part without prior written permission of CI GROUP PTY LTD. SIMPLY STAINLESS reserves the right to change specification and design without notice.

**08-7-2100R  
 DISHWASH INLET BENCH**

SIZE: A3

SCALE: 1:15

**CONSTRUCTION NOTES:**

1. TOPS MADE FROM 304 GRADE 1.2mm STAINLESS STEEL.
2. REINFORCING CHANNEL I, II & III MADE FROM 1.2mm STAINLESS STEEL.
3. SINKS MADE FROM 1.2mm STAINLESS STEEL.
4. FRAME MADE FROM Ø38mm STAINLESS STEEL TUBE.
5. POTRAIL MADE FROM STAINLESS STEEL ROUND TUBE & SQUARE TUBE.
6. FEET ARE ADJUSTABLE STAINLESS STEEL DISC SHAPED FEET.
7. WATERCORP & WATERMARK APPROVED SINK WASTE INCLUDED.

**08-7-2100R**