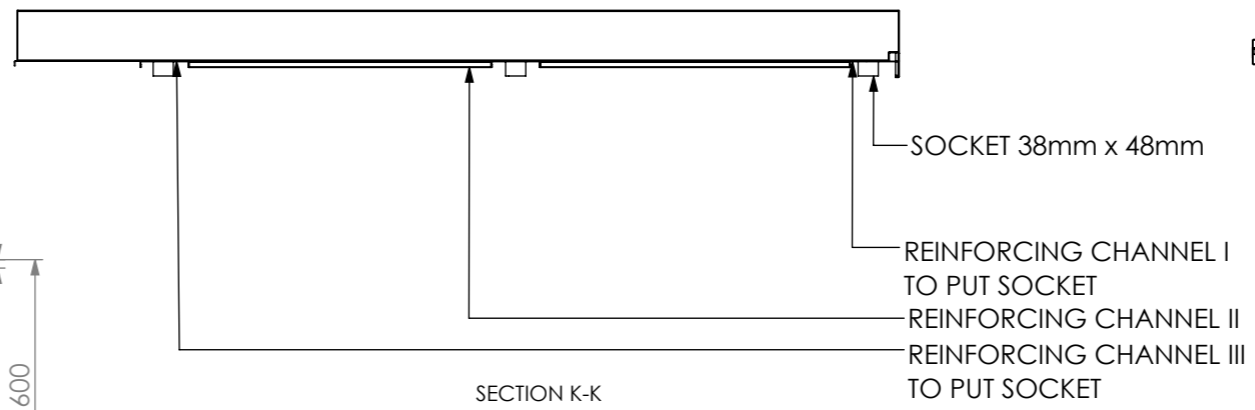
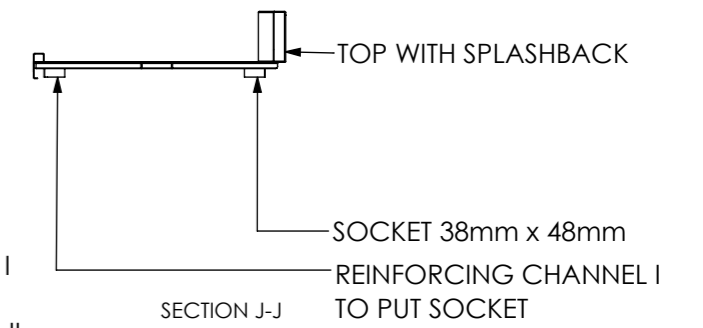


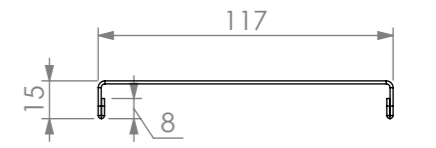
PLAN



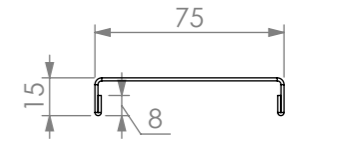
SECTION K-K



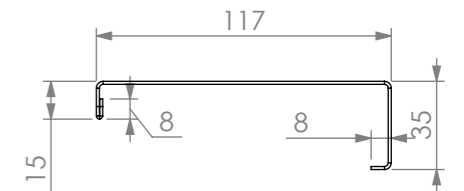
SECTION J-J



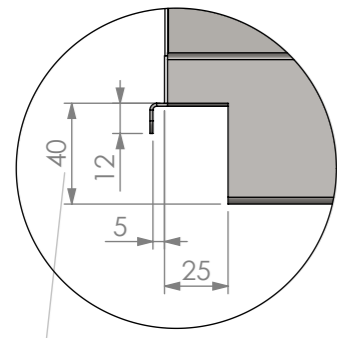
REINFORCING CHANNEL I  
DETAIL



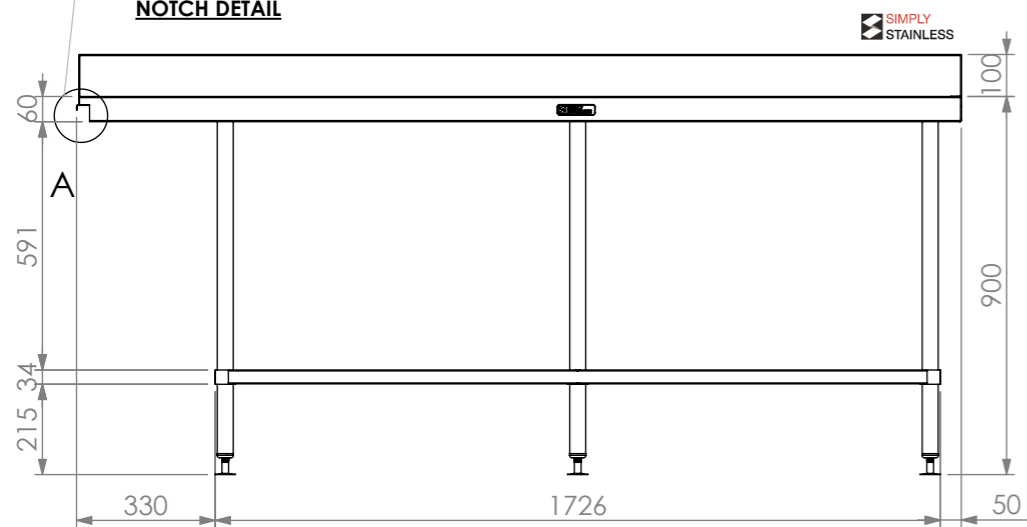
REINFORCING CHANNEL II  
DETAIL



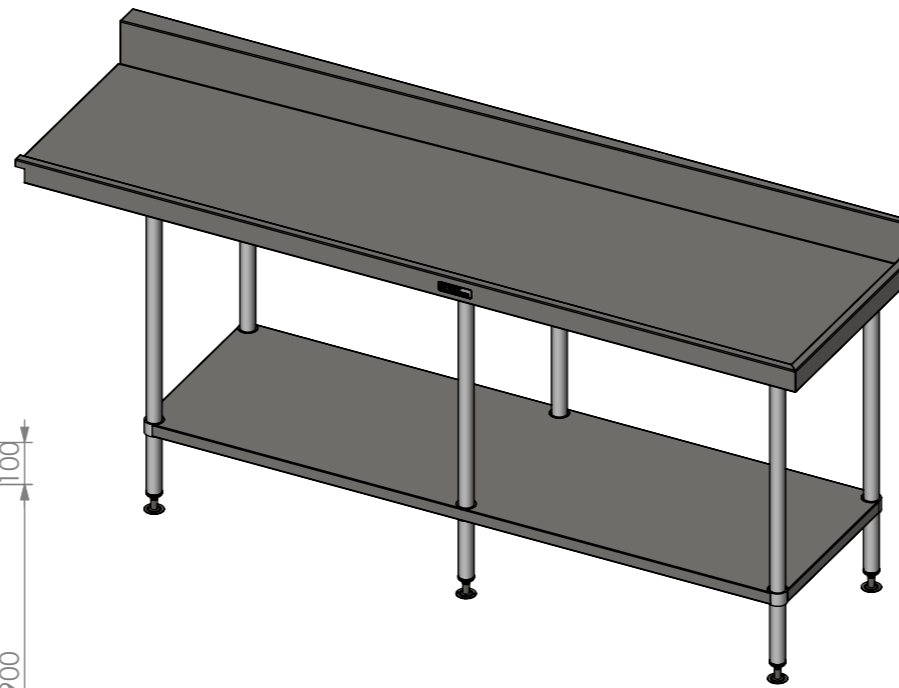
REINFORCING CHANNEL III  
DETAIL



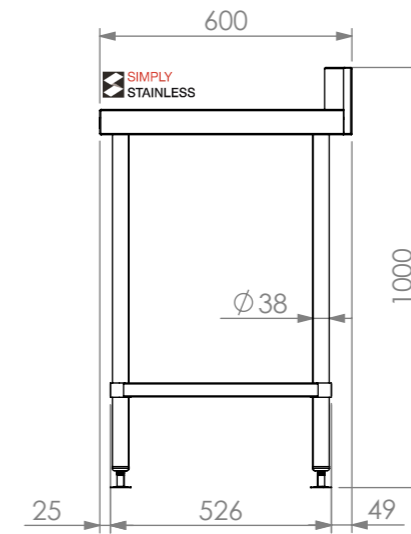
NOTCH DETAIL



FRONT ELEVATION



**07-6-2100R**



SIDE ELEVATION

**SIMPLY STAINLESS**  
 Modular Sinks, Tables & Shelving  
 COPYRIGHT © 2022  
 This drawing is the property of CI GROUP PTY LTD. Tradings as SIMPLY STAINLESS and it may not be copied, reproduced or modified in whole or in part without prior written permission of CI GROUP PTY LTD. SIMPLY STAINLESS reserves the right to change specification and design without notice.

**07-6-2100R  
 DISHWASH OUTLET BENCH**

SIZE: A3

SCALE: 1:15

**CONSTRUCTION NOTES :**

1. TOPS MADE FROM 304 GRADE, 1.2mm STAINLESS STEEL.
2. REINFORCING CHANNEL I, II & III MADE FROM 1.2mm STAINLESS STEEL.
3. FRAME MADE FROM  $\phi 38$ mm STAINLESS STEEL TUBE
4. UNDERSHELF MADE FROM 1.2mm STAINLESS STEEL WITH STAINLESS STEEL SUPPORTS.
5. FEET ARE ADJUSTABLE STAINLESS STEEL DISC SHAPED FEET.