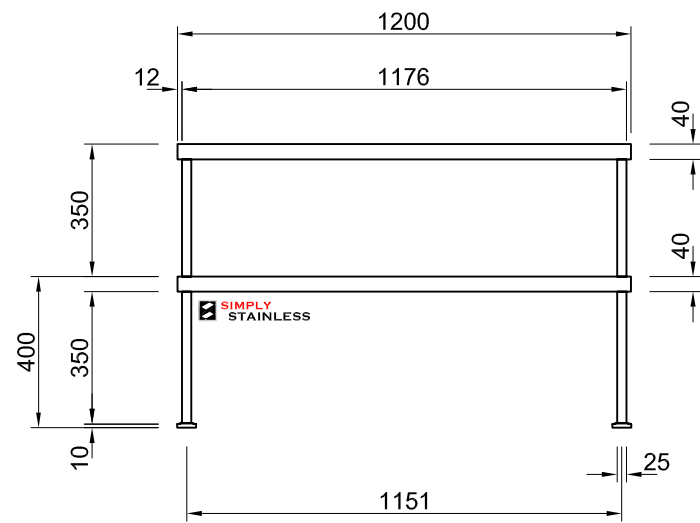
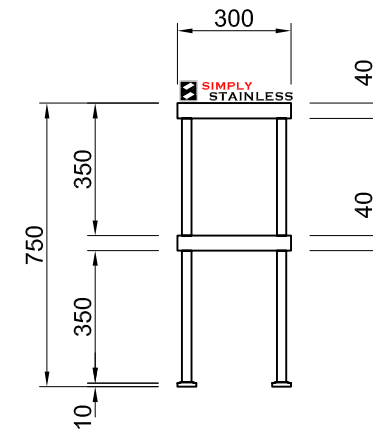


PLAN



FRONT ELEVATION



SIDE ELEVATION

13-1200



CI GROUP PTY LTD COPYRIGHT ©

This drawing is the property of CI GROUP PTY LTD trading as SIMPLY STAINLESS, and it may not be copied, reproduced or modified in whole or in part, without prior written permission of CI GROUP PTY LTD.

**13-1200 DOUBLE  
OVERSHELF**

SCALE 1:20

CONSTRUCTION NOTES:

1. TOPS MADE FROM 1.2mm STAINLESS STEEL.
2. FRAME MADE FROM Ø25mm STAINLESS STEEL TUBE.
3. FEET ARE STAINLESS STEEL DISC SHAPED FEET.